

**KIRKLAND**  
*Signature*™

By Whirlpool  
CORPORATION

---

# TOP-MOUNT REFRIGERATOR

Use & Care Guide

---

# RÉFRIGÉRATEUR SUPERPOSÉ

Guide d'utilisation  
et d'entretien

---

Table of Contents/Table des matières ..... 2

---

# TABLE OF CONTENTS

REFRIGERATOR SAFETY .....	3
PARTS AND FEATURES.....	4
INSTALLING YOUR REFRIGERATOR .....	5
Unpacking Your Refrigerator.....	5
Space Requirements .....	5
Electrical Requirements.....	6
Connecting the Refrigerator to a Water Source .....	6
Reversing the Door Swing.....	8
Reversing the Door Handles .....	9
Base Grille .....	10
Door Closing and Alignment .....	10
Understanding Sounds You May Hear .....	11
USING YOUR REFRIGERATOR.....	11
Ensuring Proper Air Circulation.....	11
Setting the Controls.....	12
Adjusting Control Settings.....	12
Food Storage Guide.....	13
REFRIGERATOR FEATURES.....	14
Refrigerator Shelves .....	14
Flip-up Door Shelf .....	14
Meat Drawer and Cover.....	15
Crisper and Crisper Cover.....	15
Crisper Humidity Control .....	16
Door Rails .....	16
Door Bins .....	16
Ice Maker Operation .....	16
Freezer Shelf.....	17
CARING FOR YOUR REFRIGERATOR .....	18
Cleaning Your Refrigerator.....	18
Changing the Light Bulbs.....	18
Power Interruptions .....	19
Vacation and Moving Care .....	19
TROUBLESHOOTING.....	20
REQUESTING ASSISTANCE OR SERVICE .....	23
WARRANTY .....	24

# TABLE DES MATIÈRES

SÉCURITÉ DU RÉFRIGÉRATEUR .....	25
PIÈCES ET CARACTÉRISTIQUES.....	26
INSTALLATION DU RÉFRIGÉRATEUR .....	27
Déballage de votre réfrigérateur .....	27
Espace requis.....	27
Spécifications électriques .....	28
Raccordement du réfrigérateur à une canalisation d'eau.....	28
Inversion du sens d'ouverture des portes.....	30
Inversion des poignées de porte .....	31
Grille de la base .....	32
Fermeture et alignement des portes .....	32
Les bruits de l'appareil que vous pouvez entendre ...	33
UTILISATION DU RÉFRIGÉRATEUR .....	33
Pour s'assurer d'une circulation d'air appropriée .....	33
Réglage des commandes.....	34
Ajustement des réglages de commande .....	34
Guide d'entreposage des aliments.....	35
CARACTÉRISTIQUES DU RÉFRIGÉRATEUR.....	36
Tablettes du réfrigérateur.....	36
Tablette relevable .....	36
Bac à viande et couvercle.....	37
Bac à légumes et couvercle.....	37
Réglage de l'humidité dans les bacs à légumes .....	38
Tringles dans la porte .....	38
Compartiments dans la porte .....	38
Utilisation de la machine à glaçons .....	38
Clayette du congélateur .....	39
ENTRETIEN DE VOTRE RÉFRIGÉRATEUR .....	40
Nettoyage du réfrigérateur .....	40
Remplacement des ampoules d'éclairage.....	41
Pannes de courant.....	41
Entretien avant les vacances ou lors d'un déménagement .....	42
DÉPANNAGE.....	43
DEMANDE D'ASSISTANCE OU DE SERVICE .....	46
GARANTIE.....	47

# REFRIGERATOR SAFETY

## Your safety and the safety of others is very important.

We have provided many important safety messages in this manual and on your appliance. Always read and obey all safety messages.



This is the safety alert symbol.

This symbol alerts you to hazards that can kill or hurt you and others.

All safety messages will be preceded by the safety alert symbol and the word "DANGER" or "WARNING." These words mean:

 **DANGER**

**You will be killed or seriously injured if you don't follow instructions.**

 **WARNING**

**You can be killed or seriously injured if you don't follow instructions.**

All safety messages will identify the hazard, tell you how to reduce the chance of injury, and tell you what can happen if the instructions are not followed.

## IMPORTANT SAFETY INSTRUCTIONS

**WARNING:** To reduce the risk of fire, electric shock, or injury when using your refrigerator, follow these basic precautions:

- Plug into a grounded 3 prong outlet.
- Do not remove ground prong.
- Do not use an adapter.
- Do not use an extension cord.
- Disconnect power before servicing.
- Replace all panels before operating.
- Remove doors from your old refrigerator.
- Use nonflammable cleaner.
- Keep flammable materials and vapors, such as gasoline, away from refrigerator.
- Use two or more people to move and install refrigerator.
- Disconnect power before installing ice maker.
- Use a sturdy glass when dispensing ice or water (on some models).

## SAVE THESE INSTRUCTIONS

## Proper Disposal of Your Old Refrigerator

 **WARNING**

### Suffocation Hazard

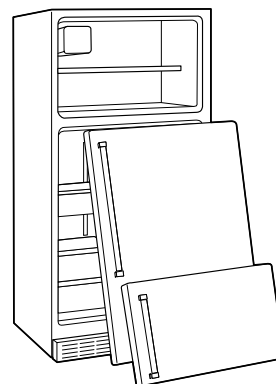
**Remove doors from your old refrigerator.**

**Failure to do so can result in death or brain damage.**

**IMPORTANT** – Child entrapment and suffocation are not problems of the past. Junked or abandoned refrigerators are still dangerous – even if they will sit for "just a few days." If you are getting rid of your old refrigerator, please follow these instructions to help prevent accidents.

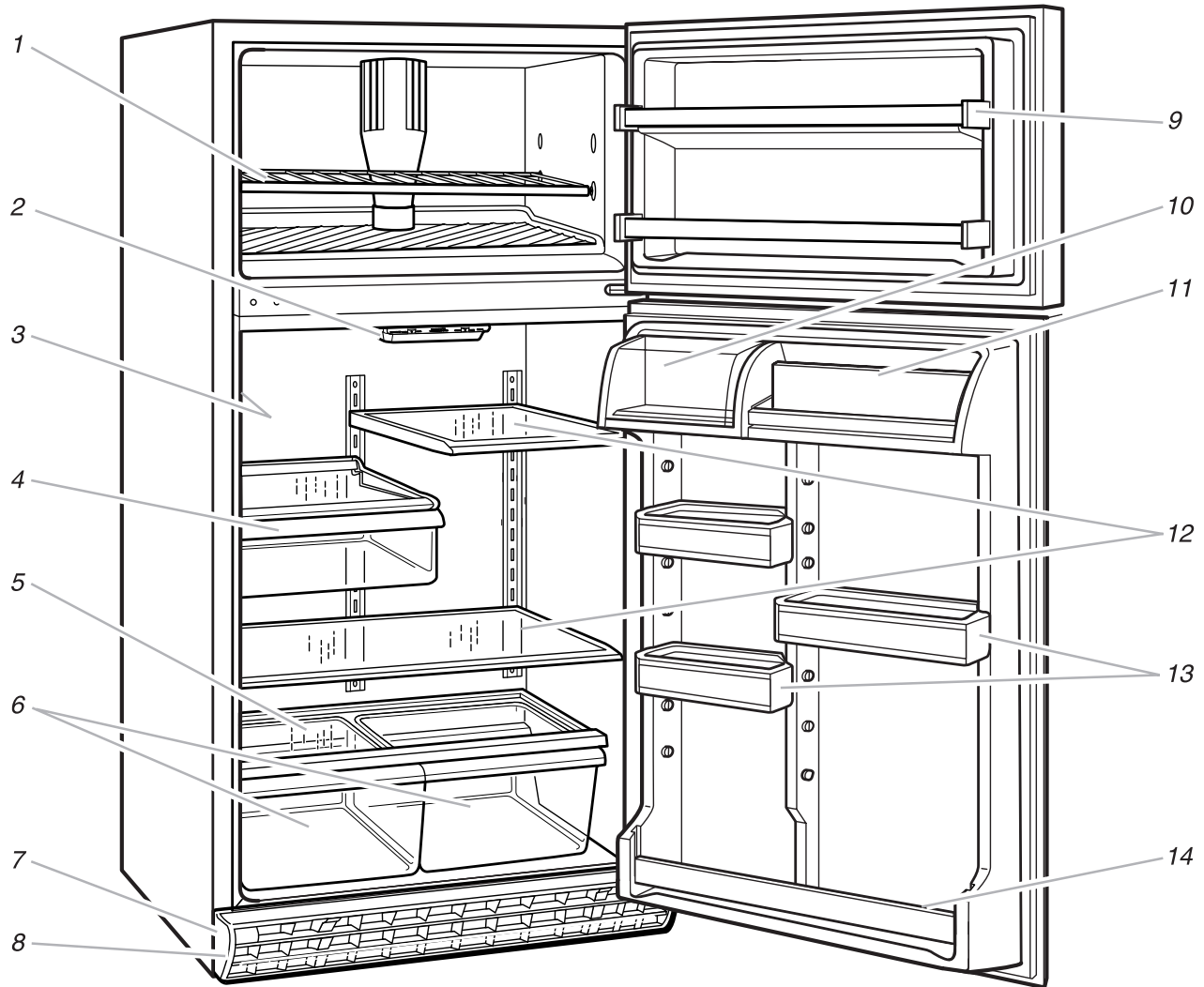
**Before you throw away your old refrigerator or freezer:**

- Take off the doors.
- Leave the shelves in place so that children may not easily climb inside.



# PARTS AND FEATURES

This manual covers several different models. The refrigerator you have purchased may have some or all of the items listed. The locations of the features may not match your model.



1. Freezer Shelf
2. Control Panel
3. Model and Serial Number Label
4. Meat Drawer
5. Crisper Cover
6. Crispers
7. Leveling Rollers (behind base grille)
8. Base Grille
9. Snap-On Door Rails

10. Utility Compartment
11. Flip-up Shelf (on some models)
12. Adjustable Glass or Wire Shelves
13. Drop-In Door Bins (on some models)
14. Drop-In Door Rail

## Other Parts and Features (not shown in illustration above/optional on some models)

- Automatic ice maker
- Ice cube trays/ice cube tray shelf
- Crisper humidity control

# INSTALLING YOUR REFRIGERATOR

## Unpacking Your Refrigerator

### ⚠️ WARNING

#### Excessive Weight Hazard

Use two or more people to move and install refrigerator.

Failure to do so can result in back or other injury.

### Removing Packaging Materials

- Remove tape and any labels from your refrigerator before using (except the model and serial number label).

To remove any remaining tape or glue, rub the area briskly with your thumb. Tape or glue residue can also be easily removed by rubbing a small amount of liquid dish soap over the adhesive with your fingers. Wipe with warm water and dry.

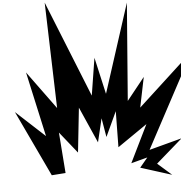
- Do not use sharp instruments, rubbing alcohol, flammable fluids, or abrasive cleaners to remove tape or glue. These products can damage the surface of your refrigerator. For more information, see "Important Safety Instructions" in the "Refrigerator Safety" section.
- On some models, shelves, bins, door shelf rails, and other feature parts may be packaged in the Finishing Touches™ FeaturePak. Follow the instructions contained in the package for proper assembly.

### IMPORTANT:

- Depending on your model, do not remove any permanent instruction labels inside your refrigerator, or the Tech Sheet that is fastened behind the base grille.
- Depending on your model, do not remove the white Styrofoam insert that is located behind the control panel on the ceiling of the refrigerator. The insert is part of the refrigerator and not part of the packing material. If the insert is removed, ice may migrate down from the freezer and cause icicles to form.

## Space Requirements

### ⚠️ WARNING

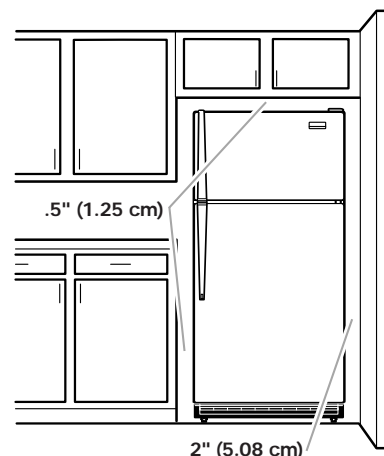


#### Explosion Hazard

Keep flammable materials and vapors, such as gasoline, away from refrigerator.

Failure to do so can result in death, explosion, or fire.

- To ensure proper ventilation for your refrigerator, allow for a .5" (1.25 cm) space on each side and at the top.



- If your refrigerator has an ice maker, make sure you leave some extra space at the back for the water line connections. The refrigerator can be flush against the back wall if you do not have an ice maker installed.
- If you are installing your refrigerator next to a fixed wall, leave 2" (5.08 cm) minimum on each side (depending on your model) to allow for the door to swing open.

**NOTE:** Do not install the refrigerator near an oven, radiator, or other heat source, nor in a location where the temperature will fall below 55°F (13°C).

## Electrical Requirements

### ⚠️ WARNING



#### Electrical Shock Hazard

**Plug into a grounded 3 prong outlet.**

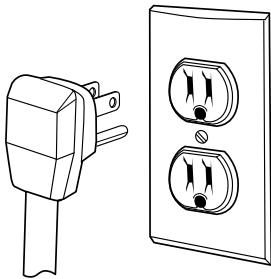
**Do not remove ground prong.**

**Do not use an adapter.**

**Do not use an extension cord.**

**Failure to follow these instructions can result in death, fire, or electrical shock.**

Before you move your refrigerator into its final location, it is important to make sure you have the proper electrical connection:



### Recommended Grounding Method

A 115 Volt, 60 Hz., AC only 15 or 20 ampere fused, grounded electrical supply is required. It is recommended that a separate circuit serving only your refrigerator be provided. Use an outlet that cannot be turned off by a switch. Do not use an extension cord.

**NOTE:** Before performing any type of installation, cleaning, or removing a light bulb, turn the Thermostat Control (or Refrigerator Control depending on the model) to OFF and then disconnect the refrigerator from the electrical source. When you are finished, reconnect the refrigerator to the electrical source and reset the Thermostat Control (or Refrigerator Control) to the desired setting.

## Connecting the Refrigerator to a Water Source

**Read all directions carefully before you begin.**

### IMPORTANT:

- If operating the refrigerator before installing the water connection, turn ice maker to the OFF position to prevent operation without water.
- All installations must be in accordance with local plumbing code requirements.
- Use copper tubing and check for leaks.
- Install copper tubing only in areas where temperatures will remain above freezing.
- It may take up to 24 hours for your ice maker to begin producing ice.

### Tools required:

- Standard screwdriver
- 7/16-inch and 1/2-inch open-end wrenches or two adjustable wrenches
- 1/4-inch nut driver
- 1/4-inch drill bit
- Hand drill or electric drill (properly grounded)

**NOTE:** Your refrigerator dealer has a kit available with a 1/4-inch saddle-type shut-off valve, a union, and copper tubing. Before purchasing, make sure a saddle-type valve complies with your local plumbing codes. Do not use a piercing-type or 3/16-inch saddle valve which reduces water flow and clogs more easily.

### Cold Water Supply

The ice maker water valve contains a flow washer which is used as a water pressure regulator. The ice maker needs to be connected to a cold water line with water pressure between 30 and 120 psi. If a problem occurs, call your utility company.

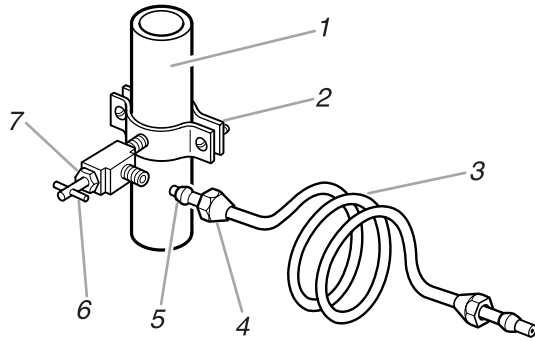
### Connecting to water line:

1. Unplug refrigerator or disconnect power.
2. Turn OFF main water supply. Turn ON nearest faucet long enough to clear line of water.
3. Find a 1/2-inch to 1 1/4-inch vertical COLD water pipe near the refrigerator.

**NOTE:** Horizontal pipe will work, but the following precaution must be taken: Drill on the top side of the pipe, not the bottom. This will help keep water away from the drill. This also keeps normal sediment from collecting in the valve.

4. To determine the length of copper tubing you will need, measure from connection on lower left rear of refrigerator to water pipe. Add 7 feet (2.1 m) to allow for moving refrigerator for cleaning. Use 1/4-inch O.D. (outside diameter) copper tubing. Be sure both ends of copper tubing are cut square.

- Using a grounded drill, drill a ¼-inch hole in the cold water pipe you have selected.



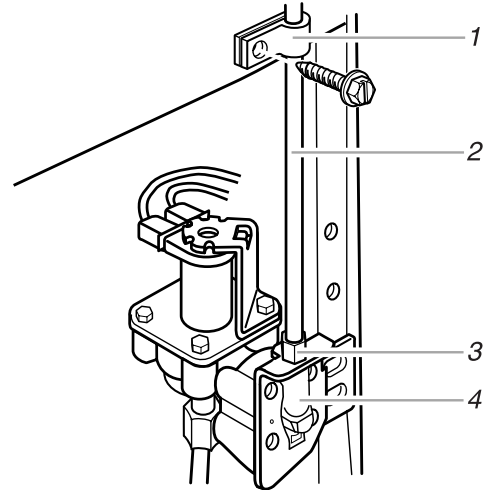
- Cold Water Pipe
- Pipe Clamp
- Copper Tubing
- Compression Nut
- Compression Sleeve
- Shut Off Valve
- Packing Nut

- Fasten shut-off valve to cold water pipe with pipe clamp. Be sure outlet end is solidly in the ¼-inch drilled hole in the water pipe and that washer is under the pipe clamp. Tighten packing nut. Tighten the pipe clamp screws carefully and evenly so washer makes a watertight seal. Do not overtighten or you may crush the copper tubing, especially if soft (coiled) copper tubing is used. Now you are ready to connect the copper tubing.
- Slip compression sleeve and compression nut on copper tubing as shown. Insert end of tubing into outlet end squarely as far as it will go. Screw compression nut onto outlet end with adjustable wrench. Do not overtighten.
- Place the free end of the tubing into a container or sink, and turn ON main water supply and flush out tubing until water is clear. Turn OFF shut-off valve on the water pipe. Coil copper tubing.

#### Connecting to refrigerator:

- Attach the copper tube to the valve inlet using a compression nut and sleeve as shown. Tighten the compression nut. Do not overtighten. Use the tube clamp on the back of the refrigerator to secure the tubing to the refrigerator as shown. This will help prevent damage to the tubing when the refrigerator is pushed back against the wall. Move to step 2.

- Turn shut-off valve ON. Check For Leaks.** Tighten any connections (including connections at the valve) or nuts that leak.



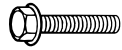
- Tube Clamp
- Copper tubing
- Compression Nut
- Valve Inlet

- The ice maker is equipped with a built-in water strainer. If local water conditions require periodic cleaning or a well is your source of water supply, a second water strainer should be installed in the ¼-inch water line. Obtain a water strainer from your nearest appliance dealer. Install at either tube connection.
- Plug in refrigerator or reconnect power.

# Reversing the Door Swing

## TOOLS NEEDED:

5/16-inch hex-head socket wrench, No. 2 Phillips screwdriver, flat-head screwdriver, 1/2-inch open-end wrench, flat 2-inch putty knife.



5/16 inch Hex Head Hinge Screw



Door Stop Screw



Sealing Screw (use on top of doors)

**SUGGESTION:** Reversing the door swing should be performed by a qualified person.

**IMPORTANT:** Before you begin, turn the refrigerator OFF, unplug it, and remove any food from door shelves.

### To remove doors from hinges:

1. Remove base grille and top hinge cover.
2. Keep doors closed until ready to lift free from the cabinet.
3. Remove the screws and components for the top hinge as shown.
4. Remove the freezer door.
5. Remove the screws and components for the center hinge as shown.
6. Remove the refrigerator door.
7. Remove the screws and components for the bottom hinge as shown.

**NOTE:** If you are reversing the door swing, you should move the handles while the doors are off of the refrigerator. Follow the instructions in the "Reversing the Door Handles" section.

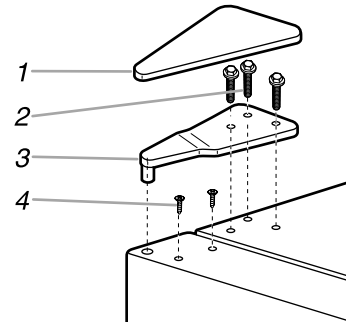
### To replace doors on hinges:

1. Remove hole plugs covering the screw holes on the opposite side of the refrigerator using a flat putty knife.
2. Replace the components and screws as shown, starting with the bottom hinge. Tighten screws with a wrench.
3. Replace the refrigerator door.
4. Replace the components and screws for the center hinge as shown. Do not tighten completely.
5. Replace the freezer door.
6. Replace the components and screws for the top hinge as shown. Do not tighten completely.

7. Remove the screws and components for the bottom hinge as shown.

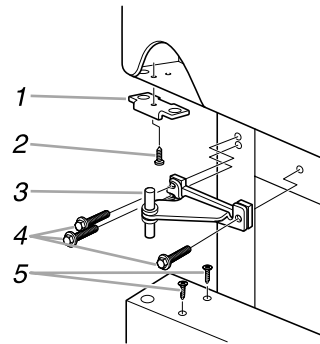
**NOTE:** If the doors are not closing on their own, see the "Door Closing and Alignment" section.

## Top Hinge



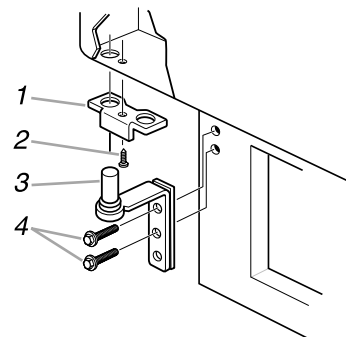
1. Top Hinge Cover
2. Hex Head Hinge Screws
3. Top Hinge
4. Sealing Screws

## Center Hinge



1. Door Stop
2. Door Stop Screw
3. Center Hinge
4. Hex Head Hinge Screws
5. Sealing Screws

## Bottom Hinge



1. Door Stop
2. Door Stop Screw
3. Bottom Hinge
4. Hex Head Hinge Screws

# Reversing the Door Handles

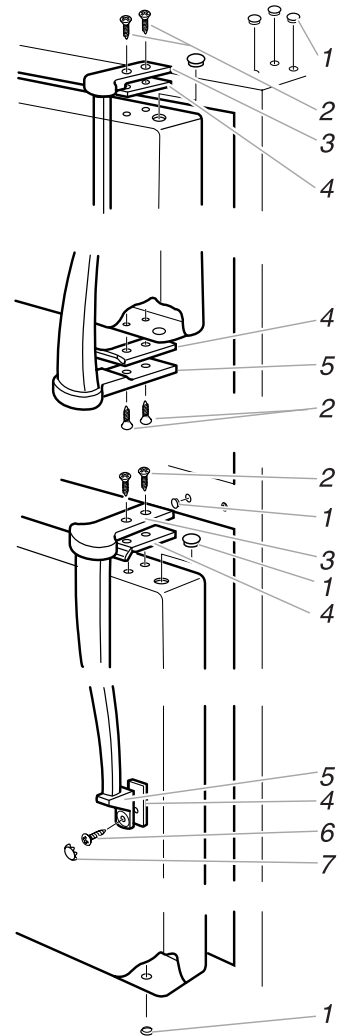
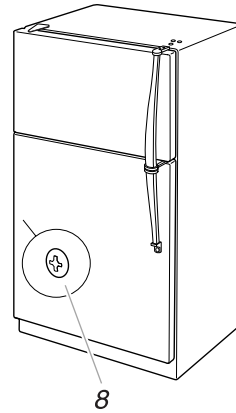
1. Remove freezer handle assembly as shown. Keep all parts together.
2. Remove refrigerator handle bottom screw. Pry off screw cover and remove screw.
3. Remove refrigerator handle assembly as shown. Keep all parts together.

## To reinstall freezer handle:

1. Position freezer handle on opposite side of freezer door and install top two screws.
2. Install bottom two screws.
3. Tighten all screws.

## To reinstall refrigerator handle:

1. Unscrew hole plug refrigerator door and screw it into place on the opposite side.
2. Position the refrigerator handle on the refrigerator door and attach it at the top with two screws.
3. Align the lower portion of the handle and attach it to the refrigerator with one screw.
4. Replace refrigerator handle bottom trim. Position screw cover over the screw and push/snap it into place.



1. Plugs
2. Countersink Screw
3. Top Endcap
4. Stick on Shim
5. Bottom Endcap
6. Handle Screw
7. Screw Cover
8. Plug

---

## Base Grille

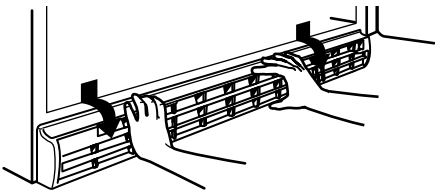
### To remove the base grille:

1. Open the refrigerator door.
2. Grasp the grille with both hands.
3. Lift up and tilt the bottom of the grille toward you.

**NOTE:** Do not remove the Tech Sheet that is fastened behind the grille.

### To replace the base grille:

1. Open the refrigerator door.
2. Place upper clips in openings in the metal panel.
3. Roll the grille down toward the refrigerator until it snaps into place.



---

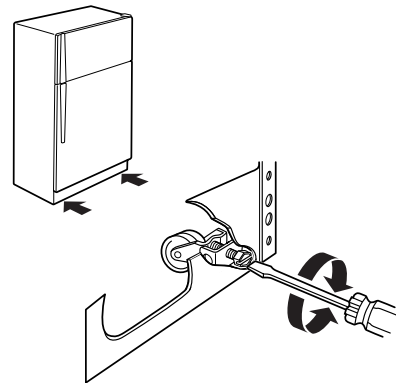
## Door Closing and Alignment

### Door Closing

Your refrigerator has 2 front adjustable rollers – one on the right and one on the left. If your refrigerator seems unsteady or you want the doors to close easier, adjust the refrigerator's tilt using the instructions below:

1. Plug refrigerator power cord into a 3-prong grounded outlet. Move the refrigerator into its final position.
2. Remove the base grille (see "Base Grille" earlier in this section). The two leveling screws are part of the front roller assemblies which are at the base of the refrigerator on either side.
3. Use a screwdriver to adjust the leveling screws. Turn the leveling screw to the right to raise that side of the refrigerator or turn the leveling screw to the left to lower that side. It may take several turns of the leveling screws to adjust the tilt of the refrigerator.

**NOTE:** Having someone push against the top of the refrigerator takes some weight off the leveling screws and rollers. This makes it easier to adjust the screws.



4. Open both doors again and check to make sure that they close as easily as you like. If not, tilt the refrigerator slightly more to the rear by turning both leveling screws to the right. It may take several more turns, and you should turn both leveling screws the same amount.
5. Replace the base grille.

### Door Alignment

If the space between your doors looks uneven, you can adjust it using the instructions below:

1. Pry off the top hinge cover.
2. Loosen the top hinge screws using a  $\frac{5}{16}$ -inch socket or wrench.
3. Have someone hold the door in place or put a spacer between the doors while you tighten the top hinge screws.
4. Replace the top hinge cover.

---

## Understanding Sounds You May Hear

Your new refrigerator may make sounds that your old one didn't make. Because the sounds are new to you, you might be concerned about them. Most of the new sounds are normal. Hard surfaces, like the floor, walls, and cabinets, can make the sounds seem louder than they actually are. The following describes the kinds of sounds and what may be making them.

- If your product is equipped with an ice maker, you will hear a buzzing sound when the water valve opens to fill the ice maker for each cycle.
- The defrost timer will click when the automatic defrost cycle begins and ends. Also, the thermostat refrigerator control, will click when cycling on and off.
- Rattling noises may come from the flow of refrigerant, the water line, or items stored on top of the refrigerator.
- Your refrigerator is designed to run more efficiently to keep your food items at the desired temperature. The high efficiency compressor may cause your new refrigerator to run longer than your old one, and you may hear a pulsating or high-pitched sound.
- Water dripping on the defrost heater during a defrost cycle may cause a sizzling sound.
- You may hear the evaporator fan motor circulating the air through the refrigerator and freezer compartments.
- As each cycle ends, you may hear a gurgling sound due to the refrigerant flowing in your refrigerator.
- Contraction and expansion of the inside walls may cause a popping noise.
- You may hear air being forced over the condenser by the condenser fan.
- You may hear water running into the drain pan during the defrost cycle.

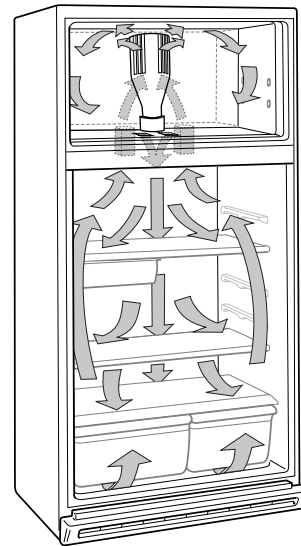
---

## USING YOUR REFRIGERATOR

---

### Ensuring Proper Air Circulation

In order to ensure proper temperatures, you need to permit air flow between the refrigerator and freezer sections. As shown in the illustration, cool air enters through the bottom of the freezer section and moves up. Most of the air then flows through the freezer section vents and recirculates under the freezer floor. The rest of the air enters the refrigerator section through the top vent.



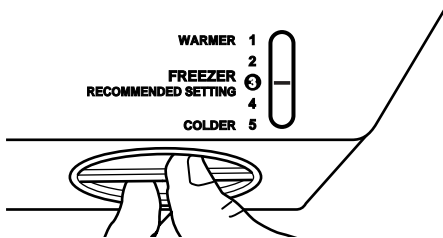
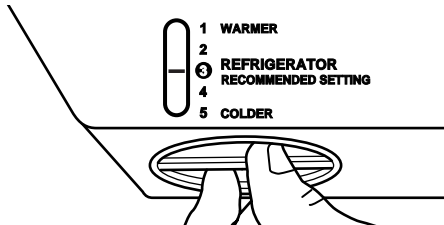
**Do not block any of these vents** with food packages. If the vents are blocked, airflow will be prevented and temperature and moisture problems may occur.

**IMPORTANT:** Because air circulates between both sections, any odors formed in one section will transfer to the other. You must thoroughly clean both sections to eliminate odors. To prevent odor transfer and drying out of food, wrap or cover foods tightly. (See the "Food Storage Guide" section for details.)

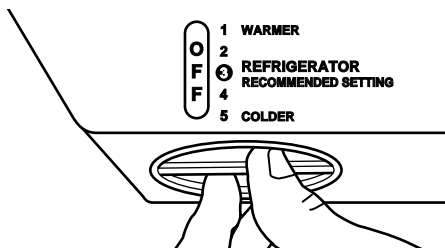
## Setting the Controls

For your convenience, the refrigerator controls are preset at the factory. Controls for the refrigerator and freezer are located in the top of the refrigerator section.

When you first install your refrigerator, make sure that the controls are still preset. The Refrigerator Control and the Freezer Control should both be at the “mid-settings” (3), as shown in the illustrations below.



**NOTE:** To turn your refrigerator off, turn the Refrigerator Control one setting past Warmer until the word OFF appears, as shown below. Your refrigerator will not cool when the Refrigerator Control is set to OFF.



Give your refrigerator time to cool down completely before adding food. It is best to wait 24 hours before you put food into the refrigerator.

**IMPORTANT:** If you add food before the refrigerator has cooled completely, your food may spoil. **Turning the Refrigerator and Freezer Controls to a higher (colder) than recommended setting will not cool the compartments any faster.**

## Adjusting Control Settings

Give the refrigerator time to cool down completely before adding food. It is best to wait 24 hours before you put food into the refrigerator. The “mid-settings” (3) indicated in the previous section should be correct for normal household refrigerator usage. The controls are set correctly when milk or juice is as cold as you like and when ice cream is firm.

The Refrigerator Control functions as the thermostat for the entire product (refrigerator and freezer sections). The higher the number setting, the longer the compressor will run to keep the temperature colder. The Freezer Control adjusts the cold air flow from the freezer to the refrigerator.

If you need to adjust temperatures in the refrigerator or freezer, start by adjusting the refrigerator first. Wait 24 hours after the refrigerator adjustment to check the freezer temperature. If it is too warm or too cold, then adjust the Freezer Control as well.

Use the settings listed in the chart below as a guide.

**Always remember to wait at least 24 hours between adjustments.**

CONDITION/REASON:	RECOMMENDED ADJUSTMENT:
<b>REFRIGERATOR section too warm</b> <ul style="list-style-type: none"> <li>■ Door opened often</li> <li>■ Large amount of food added</li> <li>■ Room temperature very warm</li> </ul>	<b>Turn REFRIGERATOR Control to next higher number, wait 24 hours, then re-check</b>
<b>FREEZER section too warm/ice not made fast enough</b> <ul style="list-style-type: none"> <li>■ Door opened often</li> <li>■ Large amount of food added</li> <li>■ Very cold room temperature (can't cycle often enough)</li> <li>■ Heavy ice usage</li> <li>■ Air diffuser blocked by items</li> </ul>	<b>Turn FREEZER Control to next HIGHER number, wait 24 hours, then re-check</b>
<b>REFRIGERATOR section too cold</b> <ul style="list-style-type: none"> <li>■ Controls not set correctly for your conditions</li> </ul>	<b>Turn REFRIGERATOR Control to next lower number, wait 24 hours, then re-check</b>
<b>FREEZER section too cold</b> <ul style="list-style-type: none"> <li>■ Controls not set correctly for your conditions</li> </ul>	<b>Turn FREEZER control to next lower number, wait 24 hours, then re-check</b>

---

# Food Storage Guide

## Storing Fresh Food

Wrap or store food in the refrigerator in airtight and moisture-proof material unless otherwise noted. This prevents food odor and taste transfer throughout the refrigerator. For dated products, check code date to ensure freshness.

---

### Butter or margarine

Keep opened butter in covered dish or closed compartment. When storing an extra supply, wrap in freezer packaging and freeze.

---

### Cheese

Store in the original wrapping until you are ready to use it. Once opened, rewrap tightly in plastic wrap or aluminum foil.

---

### Milk

Wipe milk cartons. For best storage, place milk on interior shelf.

---

### Eggs

Store in original carton on interior shelf.

---

### Fruit

Wash, let dry, and store in refrigerator in plastic bags or crisper. Do not wash or hull berries until they are ready to use. Sort and keep berries in original container in a crisper, or store in a loosely closed paper bag on a refrigerator shelf.

---

### Leafy vegetables

Remove store wrapping and trim or tear off bruised and discolored areas. Wash in cold water and drain. Place in plastic bag or plastic container and store in crisper.

---

### Vegetables with skins (carrots, peppers)

Place in plastic bags or plastic container and store in crisper.

---

### Fish

Use fresh fish and shellfish the same day as purchased.

---

## Meat

Store most meat in original wrapping as long as it is airtight and moisture-proof. Rewrap if necessary. See the following chart for storage times. When storing meat longer than the times given, freeze the meat.

Chicken.....	1-2 days
Ground beef.....	1-2 days
Variety meats (liver, heart, etc.).....	1-2 days
Cold cuts.....	3-5 days
Steaks/roasts.....	3-5 days
Cured meats.....	7-10 days

---

## Leftovers

Cover leftovers with plastic wrap or aluminum foil. Plastic containers with tight lids can also be used.

---

## Storing Frozen Food

**NOTE:** For further information about preparing food for freezing or food storage times, check a freezer guide or reliable cookbook.

### Packaging

Successful freezing depends on the correct packaging. When you close and seal the package you must not allow air or moisture in or out. If you do, you could have food odor and taste transfer throughout the refrigerator, and also dry out frozen food.

### Packaging recommendations:

- Rigid plastic containers with tight-fitting lids
- Straight-sided canning/freezing jars
- Heavy-duty aluminum foil
- Plastic-coated paper
- Non-permeable plastic wraps (made from saran film)
- Specified freezer self-sealing plastic bags

Follow package or container instructions for proper freezing methods.

### Do not use:

- Bread wrappers
- Non-polyethylene plastic containers
- Containers without tight lids
- Wax paper or wax-coated freezer wrap
- Thin, semi-permeable wrap

## Freezing

Your freezer will not quick-freeze any large quantity of food. Put no more unfrozen food into the freezer than will freeze within 24 hours (no more than 2 to 3 lbs of food per cubic foot [907-1,350 g per liter] of freezer space). Leave enough space in the freezer for air to circulate around packages. Be careful to leave enough room at the front so the door can close tightly.

Storage times will vary according to the quality and type of food, the type of packaging or wrap used, (airtight and moisture-proof), and the storage temperature. Ice crystals inside a sealed package are normal. This simply means that moisture in the food and air inside the package have condensed, creating ice crystals.

**NOTE:** Allow hot foods to cool at room temperature for 30 minutes, then package and freeze. Cooling hot foods before freezing saves energy.

---

# REFRIGERATOR FEATURES

---

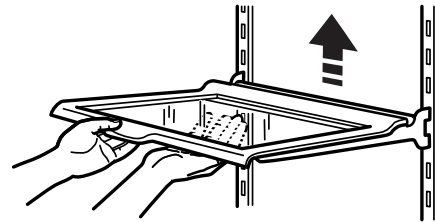
## Refrigerator Shelves

The shelves in your refrigerator are adjustable to match your individual storage needs.

Storing similar food items together in your refrigerator and adjusting the shelves to fit different heights of items will make finding the exact item you want easier. It will also reduce the amount of time the refrigerator door is open, and save energy.

### To remove a shelf:

1. Tilt up front of the shelf frame and lift it at the back.
2. Pull shelf frame straight out.



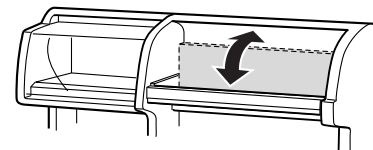
### To replace a shelf:

1. Guide the rear shelf hooks into the slots in the shelf supports on the back refrigerator wall.
2. Tilt up front of shelf frame until the rear hooks drop into the slots.
3. Lower the front of the shelf into position.

---

## Flip-up Door Shelf (on some models)

The shelf bottom flips up so you can store taller items in the door shelf below. When in the down position, the shelf is strong enough to hold up to 10 pounds (4.5 kg).



---

## Meat Drawer and Cover (on some models)

### To remove the meat drawer:

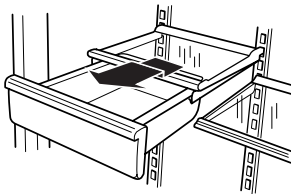
1. Slide meat drawer out to the stop.
2. Lift front of meat drawer with one hand while supporting bottom of drawer with other hand. Slide drawer out the rest of the way.
3. Replace by sliding the drawer back in fully past the drawer stop.

### To replace the meat drawer:

1. Guide the drawer into the meat cover supports.
2. Push the drawer in until it stops.

### To remove the cover

1. Remove meat drawer.
2. Tilt front of cover up.
3. Lift back of cover.
4. Pull cover straight out.



### To replace the cover:

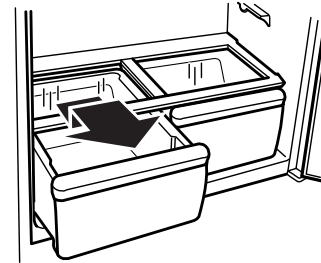
1. Guide the cover's rear hooks into the slots in the shelf supports on the back wall.
2. Tilt cover up at the front until the rear hooks drop into the slots.
3. Lower front of cover to a level position and replace meat drawer.

---

## Crisper and Crisper Cover (on some models)

### To remove the crisper:

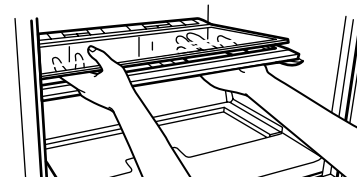
1. Slide crisper straight out to the stop.
2. Lift the front.
3. Slide crisper out the rest of the way.
4. Replace the crisper by sliding it back in fully past the drawer stop.



### To remove the crisper cover:

1. Remove both crispers.
2. Holding glass insert firmly, grasp one side of crisper cover and lift the other side up from the bottom.
3. Slide the glass insert out to remove.
4. Lift cover frame up and remove.

**NOTE:** Before reinstalling the cover, make sure the U-shaped reinforcement bar is reinstalled.



### To replace crisper cover:

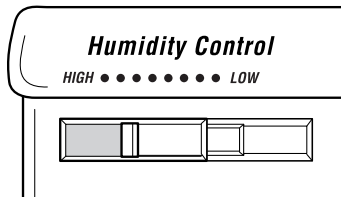
1. Fit back of cover frame into supports on side walls of the refrigerator.
2. Lower front of the cover frame into place.
3. Slide rear of glass insert into cover frame and lower front into place.

---

## Crisper Humidity Control (on some models)

You can control the amount of humidity in the moisture-sealed crisper. Adjust the control to any setting between LOW and HIGH.

- LOW (open) lets moist air out of the crisper for best storage of fruits and vegetables with skins.
- HIGH (closed) keeps moist air in the crisper for best storage of fresh, leafy vegetables.



---

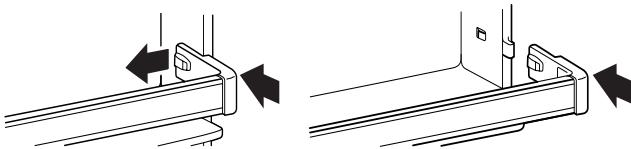
## Door Rails

The door rails may be removed for easier cleaning.

### Snap-on Door Rails

To remove the rails:

1. Remove all items from the shelf.
2. Push in slightly on the front of the bracket while pulling out on the inside tab.
3. Repeat these steps for the other end of the rail.



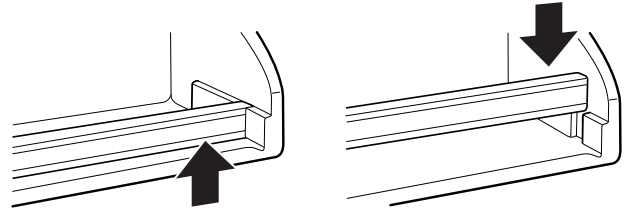
To replace the rails:

1. Line up the ends of the brackets with the buttons on the sides of the door liner.
2. Firmly snap bracket and rail assembly onto the tabs above the shelf as shown.

## Drop-in Door Rails

To remove the rails:

1. Remove all items from the shelf.
2. Pull straight up on each end of the rail.



To replace the rails:

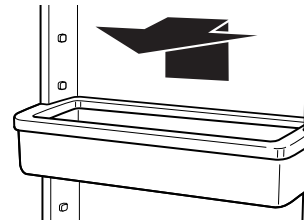
1. Slide the shelf rail into the slots on the door.
2. Push the rail straight down until it stops.

---

## Door Bins (on some models)

The door bins are removable for easy cleaning and adjusting.

1. To remove the bin, simply lift the bin up and pull straight out.
2. To replace the bin, slide it in above the desired support button and push down until it stops.



---

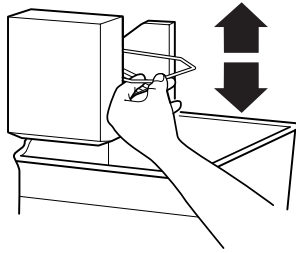
## Ice Maker Operation (on some models)

After the freezer section reaches normal freezer temperature, the ice maker fills with water and begins forming ice. Allow 24 hours to produce the first batch of ice. Ice maker should then produce approximately 7 to 9 batches of ice in a 24 hour-period. Discard the first three batches of ice produced to avoid impurities that may be flushed out of the system.

After ice is made, the ice cubes drop into the storage bin. When ice storage bin is full, ice maker arm raises to the "OFF" position (arm up). If ice is not needed, you can stop the ice maker by raising the arm to the "OFF" position (arm up). Listen for a click sound to be sure that the ice maker will not continue to operate.

To start ice maker, lower arm to the "ON" position (arm down). Do not force arm up or down. Do not store anything on top of the ice maker or in the ice storage bin.

- The ON/OFF lever for the ice maker is a wire signal arm located on the side of the ice maker. Push the arm down to start making ice automatically, and push it up to shut off the ice maker.



- It is normal for the ice cubes to be attached at the corners. They will break apart easily.
- The ice maker will not operate until the freezer is cold enough to make ice. This can take as long as overnight.
- If ice is not being made fast enough and more ice is needed, turn the Freezer Control toward a higher (colder) number in half number steps. (For example, if the control is at 3, move it to between 3 and 4.) Wait 24 hours and, if necessary, gradually turn the Freezer Control to the highest setting, waiting 24 hours between each increase.

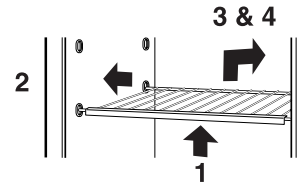
#### REMEMBER:

- The quality of your ice will be only as good as the quality of the water supplied to your ice maker.
- Avoid connecting the ice maker to a softened water supply. Water softener chemicals (such as salt) can damage parts of the ice maker and lead to poor quality ice. If a softened water supply cannot be avoided, make sure the water softener is operating properly and is well maintained.

## Freezer Shelf (on some models)

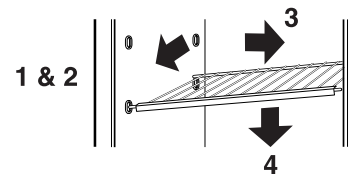
#### To remove the shelf:

1. Lift entire shelf slightly.
2. Move shelf all the way to one side.
3. Tilt other side up and out of shelf supports.
4. Pull shelf up and out.



#### To replace the shelf:

1. Tilt the shelf and insert into freezer compartment.
2. Insert one end of the shelf all the way into the center of the shelf supports.
3. Lower other end of shelf and insert into the shelf supports.
4. Lower shelf into place.



**NOTE:** The shelf should lower slightly and lock into place. If the shelf does not appear stable, make sure both ends of the shelf are inserted into the shelf supports.

# CARING FOR YOUR REFRIGERATOR

## Cleaning Your Refrigerator

**⚠ WARNING**



**Explosion Hazard**

**Use nonflammable cleaner.**  
**Failure to do so can result in death, explosion, or fire.**

Both the refrigerator and freezer sections defrost automatically. However, clean both sections about once a month to prevent odors from building up. Wipe up spills immediately.

### Energy Saving Tip:

Clean the condenser coils regularly, as described in the cleaning chart in this section

### To clean your refrigerator:

- Unplug refrigerator or disconnect power.
- Remove all removable parts from inside, such as shelves, crispers, etc.
- Use a clean sponge or soft cloth and a mild detergent in warm water. Do not use abrasive or harsh cleaners.
- Hand wash, rinse, and dry all surfaces thoroughly.
- Plug in refrigerator or reconnect power.

■ Additional cleaning tips are listed below:

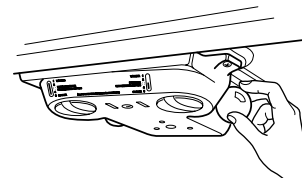
PART	COMMENTS
<b>Outside</b>	■ Waxing external painted metal surfaces helps provide rust protection. Do not wax plastic parts. Wax painted metal surfaces at least twice a year using appliance wax (or auto paste wax). Apply wax with a clean, soft cloth.
<b>Inside walls</b> (allow freezer to warm up so cloth won't stick)	■ To help remove odors, you can wash with a mixture of warm water and baking soda (2 tbs to 1 qt [26 g to .95 L] of water).
<b>Door liners and gaskets</b>	■ Do not use cleaning waxes, concentrated detergents, bleaches, or cleaners containing petroleum on plastic parts.
<b>Plastic parts</b> (covers and panels)	■ Do not use paper towels, window sprays, scouring cleansers or flammable fluids. These can scratch or damage material.

## Changing the Light Bulbs

**NOTE:** Not all appliance bulbs will fit your refrigerator. Be sure to replace the bulb with one of the same size, shape, and wattage.

### To change the refrigerator light:

1. Unplug refrigerator or disconnect power.
2. Reach behind the Control Panel and unscrew the bulb.
3. Replace the bulb with an appliance bulb of the same wattage.
4. Plug in refrigerator or reconnect power.

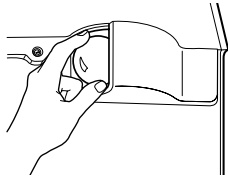


### To change freezer light:

(on some models)

1. Unplug refrigerator or disconnect power.
2. Reach behind light shield to remove bulb.
3. Replace bulb with a 40-watt appliance bulb.

4. Plug in refrigerator or reconnect power.



---

## Power Interruptions

If the electricity in your house goes off, call the power company and ask how long it will be off.

1. If the power will be out for **24 hours or less**, keep **both refrigerator doors closed** to help foods stay cold and frozen.
2. If the power will be out for **more than 24 hours**:
  - a) Remove all frozen food and store it in a frozen food locker.

**OR**

- b) Place 2 lbs. (907 g) of dry ice in the freezer for every cubic foot (28 liters) of freezer space. This will keep the food frozen for two to four days. While handling dry ice, wear gloves to protect your hands from ice burns.

**OR**

- c) If neither a food locker nor dry ice is available, consume up or can perishable food at once.

**REMEMBER:** A full freezer stays cold longer than a partially filled one. A freezer full of meat stays cold longer than a freezer full of baked goods. If you see that food contains ice crystals, it may be safely refrozen, although the quality and flavor may be affected. If the condition of the food is poor, or if you feel it is unsafe, dispose of it.

---

## Vacation and Moving Care

### Vacations

If you choose to leave the refrigerator on while you're away, use these steps to prepare your refrigerator before you leave.

1. Use up any perishables and freeze other items.
2. If your refrigerator has an automatic ice maker:
  - Raise ice maker arm to OFF (up) position.
  - Shut off water supply to the ice maker.
3. Empty the ice bin.

If you choose to turn the refrigerator off before you leave, follow these steps.

1. Remove all food from the refrigerator.

2. If your refrigerator has an automatic ice maker:
  - Turn off the water supply to the ice maker at least one day ahead of time.
  - When the last load of ice drops, raise the ice maker arm to the OFF (up) position.
3. Depending on your model, turn the Thermostat Control (or Refrigerator Control, depending on the model) to OFF. See the "Setting the Controls" section.
4. Clean refrigerator, wipe it, and dry well.
5. Tape rubber or wood blocks to the tops of both doors to prop them open far enough for air to get in. This stops odor and mold from building up.

### Moving

When you are moving your refrigerator to a new home, follow these steps to prepare it for the move.

1. If your refrigerator has an automatic ice maker:
  - Turn off the water supply to the ice maker at least one day ahead of time.
  - Disconnect the water line from the back of the refrigerator.
  - When the last load of ice drops, raise the ice maker arm to the OFF (up) position.
2. Remove all food from the refrigerator and pack all frozen food in dry ice.
3. Depending on your model, turn the Thermostat Control (or Refrigerator Control, depending on the model) to OFF. See the "Setting the Controls" section.
4. Unplug the refrigerator.
5. Empty water from the defrost pan.
6. Clean, wipe, and dry thoroughly.
7. Take out all removable parts, wrap them well, and tape them together so they don't shift and rattle during the move.
8. Depending on the model, raise the front of the refrigerator so it rolls easier OR screw in the leveling legs so they don't scrape the floor. See the "Door Closing" section.
9. Tape the doors shut and the power cord to the refrigerator cabinet.

When you get to your new home, put everything back and refer to the "Installing Your Refrigerator" section for preparation instructions. Also, if your refrigerator has an automatic ice maker, remember to reconnect the water supply to the refrigerator.

---

# TROUBLESHOOTING

Try the solutions suggested here first in order to avoid the cost of an unnecessary service call.

---

## Your refrigerator will not operate

---

- **The power supply cord is unplugged.**  
Firmly plug the cord into a live outlet with proper voltage.
  - **A household fuse or circuit breaker has tripped.**  
Replace the fuse or reset the circuit.
  - **The refrigerator control is turned to the “OFF” position.**  
Refer to the “Setting the Controls” section.
  - **The refrigerator is defrosting.**  
Recheck to see if the refrigerator is operating in 30 minutes. Your refrigerator will regularly run an automatic defrost cycle.
- 

## The lights do not work

---

- **The power supply cord is unplugged.**  
Firmly plug the cord into a live outlet with proper voltage.
  - **A light bulb is loose in the socket.**  
Turn the refrigerator control to OFF. Disconnect the refrigerator from the electrical supply. Gently remove the bulb and reinsert. Then reconnect the refrigerator to the electrical supply and reset the refrigerator control.
  - **A light bulb has burned out.**  
Replace with an appliance bulb of the same wattage, size, and shape. See the “Changing the Light Bulbs” section.
- 

---

## There is water in the defrost drain pan

---

- **The refrigerator is defrosting.**  
The water will evaporate. It is normal for water to drip into the defrost pan.
  - **It is more humid than normal.**  
Expect that the water in the defrost pan will take longer to evaporate. This is normal when it is hot or humid.
- 

## The motor seems to run too much

---

- **The room temperature is hotter than normal.**  
Expect the motor to run longer under warm conditions. At normal room temperatures, expect your motor to run about 40% to 80% of the time. Under warmer conditions, expect it to run even more of the time.
- **A large amount of food has just been added to the refrigerator.**  
Adding a large amount of food warms the refrigerator. It is normal for the motor to run longer in order to cool the refrigerator back down. See the “Food Storage Guide” section.
- **The doors are opened often.**  
Expect the motor to run longer when this occurs. In order to conserve energy, try to get everything you need out of the refrigerator at once, keep food organized so it is easy to find, and close the door as soon as the food is removed.
- **The controls are not set correctly for the surrounding conditions.**  
Refer to the “Setting the Controls” section.
- **The doors are not closed completely.**  
Push the doors firmly shut. If they will not shut all the way, see “The doors will not close completely” later in this section.
- **The condenser coils are dirty.**  
This prevents air transfer and makes the motor work harder. Clean the condenser coils. Refer to the “Cleaning Your Refrigerator” section.

**NOTE:** Your new refrigerator will run longer than your old one due to its high efficiency motor.

---

## The refrigerator seems to make too much noise

---

- **The sounds may be normal for your refrigerators.**  
Refer to the “Understanding Sounds You May Hear” section.

---

## The ice maker is not producing ice

---

- **The freezer temperature is not cold enough to produce ice.**  
Wait 24 hours after hook-up for ice production. See the “Setting the Controls” section.
- **The ice maker arm is in the “OFF” (arm up) position.**  
Lower arm to the “ON” (arm down) position. See the “Ice Maker Operation” section.
- **The water line shut-off valve to the refrigerator is not turned on.**  
Turn on the water valve. See the “Connecting the Refrigerator to a Water Source” section.
- **An ice cube is jammed in the ejector arm.**  
Remove the ice from the ejector arm with a plastic utensil. Refer to the “Ice Maker Operation” section.
- **The ice maker mold has no water in it or no ice has been produced.**  
Check to see if your refrigerator has been connected to your home water supply and the supply shut-off valve is turned on. Refer to the “Connecting the Refrigerator to a Water Source” section.

NOTE: If not due to any of the above, there may be a problem with the water line. Call for service.

---

## The ice maker is producing too little ice

---

- **The ice maker has just been installed.**  
Wait 72 hours for full ice production to begin. Once your refrigerator is cooled down, the ice maker should begin producing 70-120 cubes every 24 hours.
- **A large amount of ice has just been removed.**  
Allow 24 hours for ice maker to produce more ice.
- **The controls are not set correctly.**  
Refer to the “Setting the Controls” section.
- **The water shut-off valve is not turned completely on.**  
Turn valve on fully. Refer to the “Connecting the Refrigerator to a Water Source” section.
- **There is a water filter installed on the refrigerator. This filter may be clogged or installed incorrectly.**  
First, check the filter installation instructions to ensure that the filter was installed correctly and is not clogged. If installation or clogging is not a problem, call a qualified person or a technician.

---

## Off-taste or odor in the ice

---

- **The plumbing connections are new, causing discolored or off-flavored ice.**  
Discard the first few batches of ice.
- **The ice cubes have been stored for too long.**  
Throw old ice away and make a new supply.
- **Food in the refrigerator has not been wrapped properly.**  
Refer to “Storing frozen food” in the “Food Storage Guide” section.
- **Freezer and ice bin need to be cleaned.**  
See the “Cleaning Your Refrigerator” section.
- **Water contains minerals (such as sulfur).**  
A filter may need to be installed to remove the minerals.

---

## The divider between the two compartments is warm

---

The warmth is probably due to normal operation of the automatic exterior moisture control.

---

## Temperature is too warm

---

- **The air vents are blocked in either compartment. This prevents the movement of cold air from the freezer to the refrigerator.**  
Remove any objects from in front of the air vents. Refer to “Ensuring Proper Air Circulation” for the location of air vents.
- **The door(s) are opened often.**  
Be aware that the refrigerator will warm when this occurs. In order to keep the refrigerator cool, try to get everything you need out of the refrigerator at once, keep food organized so it is easy to find, and close the door as soon as the food is removed.
- **A large amount of food has just been added to the refrigerator or freezer.**  
Adding a large amount of food warms the refrigerator. It can take several hours for the refrigerator to return to the normal temperature.
- **The controls are not set correctly for the surrounding conditions.**  
Refer to the “Setting the Controls” section.

---

## There is interior moisture build-up

---

- **The air vents are blocked in the refrigerator.**  
Remove any objects from in front of the air vents. Refer to “Ensuring Proper Air Circulation” for the location of air vents.
- **The door is opened often.**  
To avoid humidity build-up, try to get everything you need out of the refrigerator at once, keep food organized so it is easy to find, and close the door as soon as the food is removed. (When the door is opened, humidity from the room air enters the refrigerator. The more often the door is opened, the faster humidity builds up, especially when the room itself is very humid.)
- **The room is humid.**  
It is normal for moisture to build up inside the refrigerator when the room air is humid.
- **The food is not packaged correctly.**  
Check that all food is securely wrapped. If necessary, repackage food according to the guidelines in the “Food Storage Guide” section. Wipe off damp food containers before placing in the refrigerator.
- **The controls are not set correctly for the surrounding conditions.**  
Refer to the “Setting the Controls” section.
- **A self-defrost cycle was completed.**  
It is normal for droplets to form on the back wall after the refrigerator self-defrosts.

---

## The doors are difficult to open

---

- **The gaskets are dirty or sticky.**  
Clean gaskets and the surface that they touch. Rub a thin coat of paraffin wax on the gaskets following cleaning.

---

## The doors will not close completely

---

- **Food packages are blocking the door open.**  
Rearrange containers so that they fit more tightly and take up less space.
- **The ice bin is out of position.**  
Push the ice bin in all the way.
- **The crisper cover, pans, shelves, bins, or baskets are out of position.**  
Put the crisper cover and all pans, shelves, bins, and baskets back into their correct position. See the “Refrigerator Features” section for more information.
- **The gaskets are sticking.**  
Clean gaskets and the surface that they touch. Rub a thin coat of paraffin wax on the gaskets following cleaning.
- **The refrigerator wobbles or seems unstable.**  
Level the refrigerator. Refer to the “Door Closing and Alignment” section.
- **The doors were removed during product installation and not properly replaced.**  
Remove and replace the doors according to the “Reversing the Door Swing” section, or call a qualified service technician.

---

# REQUESTING ASSISTANCE OR SERVICE

Before calling for assistance or service, please check the "Troubleshooting" section. It may save you the cost of a service call. If you still need help, follow the instructions below.

## FOR ASSISTANCE OR SERVICE:

### 1. If the problem is not due to one of the items listed in the "Troubleshooting" section...

Call the Whirlpool Consumer Assistance Center toll free at 1-800-253-1301. Our consultants are available to assist you.

When calling, please know the purchase date and the complete model and serial number of your appliance (see the "Warranty" section). This information will help us better respond to your request.

#### Our consultants provide assistance with:

- Features and specifications on our full line of appliances
- Installation information
- Use and maintenance procedures
- Accessory and repair parts sales
- Specialized customer assistance (Spanish speaking, hearing impaired, limited vision, etc.)
- Referrals to local dealers, service companies, and repair parts distributors

**Whirlpool designated service technicians** are trained to fulfill the product warranty and provide after-warranty service, anywhere in the United States.

To locate the Whirlpool designated service company in your area, you can also look in your telephone directory Yellow Pages.

### 2. If you need replacement parts...

If you need to order replacement parts, we recommend that you only use Factory Specified Parts. Factory Specified Parts will fit right and work right, because they are made with the same precision used to build every new Kirkland Signature™ appliance by Whirlpool Corporation.

To locate Factory Specified Parts in your area, call our Consumer Assistance Center telephone number or your nearest designated service center.

### 3. For further assistance...

If you need further assistance, you can write to Whirlpool with any questions or concerns at:

Whirlpool Corporation  
Consumer Assistance Center  
c/o Correspondence Dept.  
2000 North M-63  
Benton Harbor, MI 49022-2692

Please include a daytime phone number in your correspondence.

#### \*When asking for help or service:

Please provide a detailed description of the problem, your appliance's complete model and serial numbers, and the purchase date. (See "Warranty" section.) This information will help us respond properly to your request.

---

# REFRIGERATOR WARRANTY



By **Whirlpool**  
CORPORATION

---

## TWO-YEAR FULL WARRANTY ON REFRIGERATOR

For two years from the date of purchase, when this refrigerator is operated and maintained according to instructions attached to or furnished with the product, Whirlpool will pay for Factory Specified Parts and repair labor to correct defects in materials or workmanship. Service must be provided by a Whirlpool designated service company.

---

## FIVE-YEAR FULL WARRANTY ON SEALED REFRIGERATION SYSTEM

For five years from the date of purchase, when this refrigerator is operated and maintained according to instructions attached to or furnished with the product, Whirlpool will pay for Factory Specified Parts and repair labor to correct defects in materials or workmanship in the sealed refrigeration system. These parts are: Compressor, evaporator, condenser, drier, connecting tubing. Service must be provided by a Whirlpool designated service company.

---

### Whirlpool Corporation will not pay for:

1. Service calls to correct the installation of your refrigerator, to instruct you how to use your refrigerator, to replace house fuses or correct house wiring or plumbing, to replace light bulbs.
2. Repairs when your refrigerator is used in other than normal, single-family household use.
3. Pickup and delivery, your refrigerator is designed to be repaired in the home.
4. Damage to your refrigerator caused by accident, misuse, fire, flood, acts of God, or use of products not approved by Whirlpool.
5. Any food loss due to product failure.
6. Repairs to parts or systems resulting from unauthorized modifications made to the appliance.

---

### WHIRLPOOL CORPORATION SHALL NOT BE LIABLE FOR INCIDENTAL OR CONSEQUENTIAL DAMAGES

Some states do not allow the exclusion or limitation of incidental or consequential damages, so this exclusion or limitation may not apply to you. This warranty gives you specific legal rights, and you may also have other rights which vary from state to state.

Outside the United States, a different warranty may apply. For details, contact Whirlpool Corporation.

Whirlpool Corporation is responsible for providing any in-warranty service covered in this warranty. If you need service, first see the "Troubleshooting" section of this book. After checking "Troubleshooting," additional help can be found by checking the "Requesting Assistance or Service" section or by calling the Whirlpool Consumer Assistance Center, **1-800-253-1301** (toll-free), from anywhere in the U.S.A. or writing: Whirlpool Corporation, Consumer Assistance Center, c/o Correspondence Dept., 2000 North M-63, Benton Harbor, MI 49022-2692.

1/99

---

**Keep this book and your sales slip together for future reference. You must provide proof of purchase or installation date for in-warranty service.**

Write down the following information about your refrigerator to better help you obtain assistance or service if you ever need it. You will need to know your complete model number and serial number. You can find this information on the model and serial number label, located on your appliance as shown in the Parts and Features section of this book.

Dealer name \_\_\_\_\_  
Address \_\_\_\_\_  
Phone number \_\_\_\_\_  
Model number \_\_\_\_\_  
Serial number \_\_\_\_\_  
Purchase date \_\_\_\_\_

# SÉCURITÉ DU RÉFRIGÉRATEUR

## Votre sécurité et celle des autres est très importante.

Nous donnons de nombreux messages de sécurité importants dans ce manuel et sur votre appareil ménager. Assurez-vous de toujours lire tous les messages de sécurité et de vous y conformer.



Voici le symbole d'alerte de sécurité.

Ce symbole d'alerte de sécurité vous signale les dangers susceptibles de causer le décès et des blessures graves à vous et à d'autres.

Tous les messages de sécurité seront précédés du symbole d'alerte de sécurité et du mot "DANGER" ou "AVERTISSEMENT". Ces mots signifient :

 **DANGER**

**Risque certain de décès ou de blessure grave si vous ne suivez pas les instructions.**

 **AVERTISSEMENT**

**Risque possible de décès ou de blessure grave si vous ne suivez pas les instructions.**

Tous les messages de sécurité identifient le danger et vous disent comment réduire le risque de blessure et ce qui peut se produire en cas de non-respect des instructions.

## IMPORTANTES INSTRUCTIONS DE SÉCURITÉ

**AVERTISSEMENT** : Pour réduire les risques d'incendie, de choc électrique ou des blessures lors de l'utilisation du réfrigérateur, prendre quelques précautions fondamentales, y compris les suivantes :

- Brancher l'appareil sur une prise à 3 alvéoles reliée à la terre.
- Ne pas enlever la broche de liaison à la terre.
- Ne pas utiliser un adaptateur.
- Utiliser deux ou plus de personnes pour déplacer et installer le réfrigérateur.
- Débrancher la source de courant électrique avant l'entretien.
- Replacer tous les panneaux avant de faire la remise en marche.
- Enlever les portes de votre vieux réfrigérateur.
- Utiliser un produit de nettoyage ininflammable.
- Garder les matériaux et les vapeurs inflammables, telle que l'essence, loin du réfrigérateur.
- Débrancher le réfrigérateur avant l'installation de la machine à glaçons.
- Utiliser un verre robuste pour prendre des glaçons ou de l'eau (sur certains modèles).

## CONSERVEZ CES INSTRUCTIONS

## Mise au rebut de votre vieux réfrigérateur

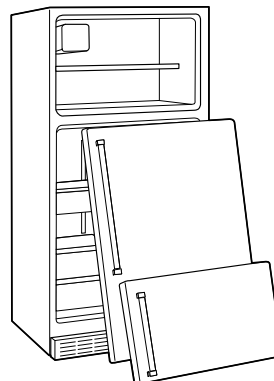
 **AVERTISSEMENT**

**Risque de suffoquer**

**Enlever les portes de votre vieux réfrigérateur. Le non-respect de cette instruction peut causer un décès ou des lésions cérébrales.**

## Avant de jeter votre vieux réfrigérateur ou congélateur :

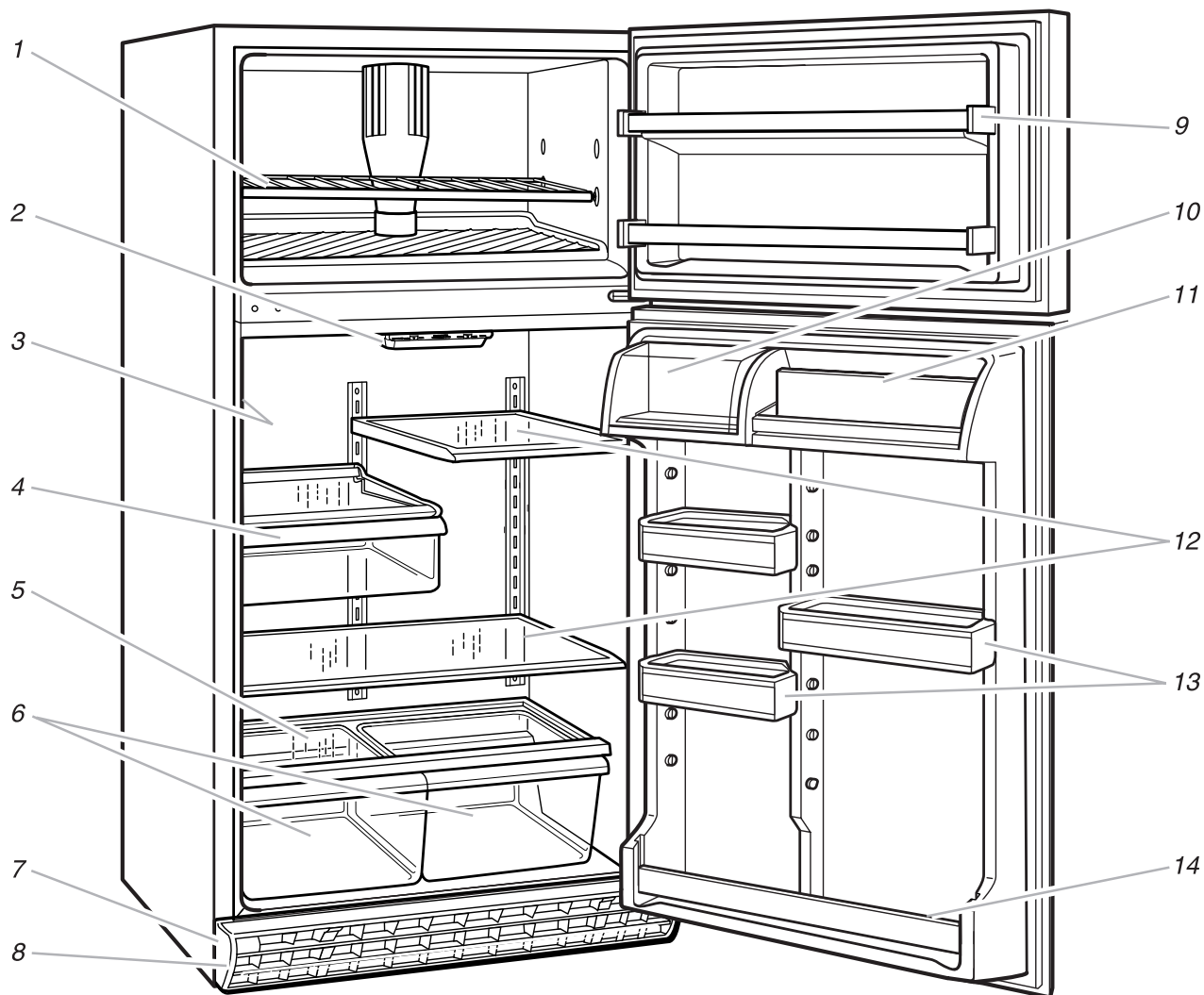
- Enlever les portes.
- Laisser les tablettes en place de sorte que les enfants ne peuvent pas y pénétrer facilement.



**IMPORTANT** – L'emprisonnement et l'étouffement des enfants ne sont pas un problème du passé. Les réfrigérateurs jetés ou abandonnés sont encore dangereux, même s'ils sont laissés abandonnés pendant "quelques jours seulement". Si vous vous débarrassez de votre vieux réfrigérateur, veuillez suivre les instructions suivantes pour aider à éviter les accidents.

# PIÈCES ET CARACTÉRISTIQUES

Ce manuel couvre plusieurs modèles différents. Le réfrigérateur que vous avez acheté peut comporter une partie ou l'ensemble des articles mentionnés. L'emplacement des caractéristiques peut ne pas correspondre à celui de votre modèle.



1. Clayette de congélateur (sur certains modèles)
2. Tableau de commande
3. Fiche signalétique des numéros de modèle et de série
4. Bac à viande (sur certains modèles)
5. Couvercle de bac à légumes (sur certains modèles)
6. Bacs à légumes (sur certains modèles)
7. Roulettes de mise d'aplomb (derrière la grille de base)
8. Grille de la base
9. Tringles de porte emboîtables
10. Compartiment utilitaire (sur certains modèles)
11. Tablette relevable (sur certains modèles)

12. Clayettes ou tablette de verre réglable
13. Compartiments déposés dans la porte (sur certains modèles)
14. Tringle déposée dans la porte

## **Autres pièces et caractéristiques**

(non illustrées ci-dessus/facultatives sur certains modèles)

Machine à glaçons automatique

Plateaux/tablette pour glaçons

Réglage de l'humidité dans les bacs à légumes

# INSTALLATION DU RÉFRIGÉRATEUR

## Déballage de votre réfrigérateur

### ⚠ AVERTISSEMENT

#### Risque du poids excessif

Utiliser deux ou plus de personnes pour déplacer et installer le réfrigérateur.

Le non-respect de cette instruction peut causer une blessure au dos ou d'autre blessure.

### Enlèvement des matériaux d'emballage

- Enlever le ruban adhésif et toutes les étiquettes de votre réfrigérateur avant de l'utiliser (excepté l'étiquette des numéros de modèle et de série).

Pour enlever ce qui reste du ruban adhésif ou de la colle, frotter la surface vivement avec le pouce. La colle ou l'adhésif qui reste peut être facilement enlevé par frottement avec les doigts et une petite quantité de savon liquide pour la vaisselle sur l'adhésif. Rincer à l'eau tiède et essuyer.

- Ne pas utiliser d'instruments coupants, d'alcool à friction, de liquides inflammables ou de nettoyants abrasifs pour enlever le ruban adhésif ou la colle. Ces produits peuvent endommager la surface de votre réfrigérateur. Voir "Importantes instructions de sécurité" pour plus de renseignements, à la section "Sécurité du réfrigérateur".
- Sur certains modèles, des tablettes, bacs, glissières de tablettes dans la porte et autres pièces peuvent être emballés dans des sacs spéciaux de finition FeaturePak. Suivre les instructions contenues dans l'emballage pour le montage approprié.

### IMPORTANT :

- Selon le modèle que vous avez, ne pas enlever les étiquettes permanentes d'instruction à l'intérieur du réfrigérateur, ou la fiche technique fixée à la base de la grille.
- Selon le modèle que vous avez, ne pas enlever l'encart en mousse Styrofoam blanche situé derrière le panneau de réglage au plafond du réfrigérateur. L'encart fait partie du réfrigérateur et n'est pas un matériau d'emballage. Si l'encart est enlevé, de la glace peut se former en provenance du congélateur et causer la formation de glaçons.

## Espacement requis

### ⚠ AVERTISSEMENT

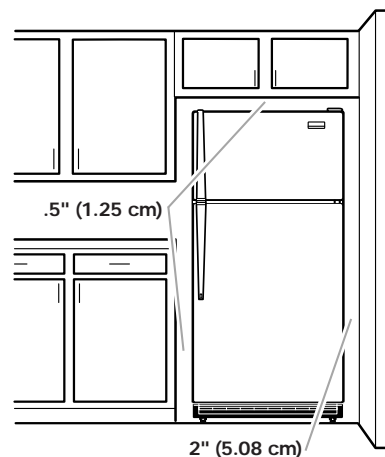


#### Risque d'explosion

Garder les matériaux et les vapeurs inflammables, telle que l'essence, loin du réfrigérateur.

Le non-respect de cette instruction peut causer un décès, une explosion ou un incendie.

- Pour obtenir une aération appropriée pour votre réfrigérateur, laisser un espace de ½ po (1,25 cm) de chaque côté et au sommet.



- Si votre réfrigérateur comporte une machine à glaçons, s'assurer qu'un espace additionnel est prévu à l'arrière pour permettre les connexions des conduits d'eau. Le réfrigérateur peut être près du mur arrière si vous ne faites pas installer une machine à glaçons.
- Si vous installez votre réfrigérateur près d'un mur fixe, laisser un minimum de 2 pouces (5,08 cm) du côté des charnières (selon le modèle) pour permettre à la porte de s'ouvrir sans obstruction.

**REMARQUE :** Ne pas installer le réfrigérateur près d'un four, d'un radiateur ou d'une autre source de chaleur, ni dans un endroit où la température baissera au-dessous de 13°C (55° F).

## Spécifications électriques

### ⚠ AVERTISSEMENT



#### Risque de choc électrique

**Brancher sur une prise à 3 alvéoles reliée à la terre.**

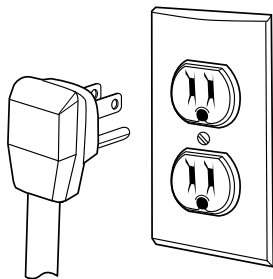
**Ne pas enlever la broche de liaison à la terre.**

**Ne pas utiliser un adaptateur.**

**Ne pas utiliser un câble de rallonge.**

**Le non-respect de ces instructions peut causer un décès, un incendie ou un choc électrique.**

Avant de placer le réfrigérateur à son emplacement final, il est important de vous assurer d'avoir la connexion électrique appropriée :



#### Méthode recommandée de mise à la terre

Une source d'alimentation de 115 volts, 60 Hz, type 15 ou 20 ampères CA seulement, protégée par fusibles et adéquatement mise à la terre est nécessaire. Il est recommandé d'utiliser un circuit distinct pour alimenter uniquement votre réfrigérateur. Utiliser une prise murale qui ne peut pas être mise hors circuit à l'aide d'un commutateur. Ne pas employer de rallonge.

**REMARQUE :** Avant d'exécuter toute cette installation, nettoyage ou remplacement d'une ampoule d'éclairage, tourner le réglage du thermostat (ou le réglage du réfrigérateur selon le modèle) à OFF (arrêt) et débrancher ensuite le réfrigérateur de la source d'alimentation électrique. Lorsque vous avez terminé, reconnecter le réfrigérateur à la source d'alimentation électrique et mettre de nouveau le réglage du thermostat (ou réglage du réfrigérateur) au réglage désiré.

## Raccordement du réfrigérateur à une canalisation d'eau

**Lire attentivement toutes les instructions avant de commencer.**

### IMPORTANT :

- Si on doit utiliser le réfrigérateur avant qu'il soit raccordé à la canalisation d'eau, placer la commande de la machine à glaçons à la position d'arrêt (OFF) pour empêcher que la machine à glaçons fonctionne sans eau.
- Toutes les installations doivent être conformes aux exigences des codes locaux de plomberie.
- Utiliser un tube en cuivre et vérifier s'il y a des fuites.
- Installer les tubes en cuivre seulement à des endroits où la température se maintient au-dessus du point de congélation.
- Une période d'attente allant jusqu'à 24 heures est nécessaire avant que l'appareil commence à produire des glaçons.

### Outils requis :

- Tournevis standard
- Clés plates de 7/16-po et 1/2-po ou deux clés à molette réglables
- Tourne-écrou de 1/4-po
- Foret de 1/4-po
- Perceuse manuelle ou perceuse électrique (convenablement reliée à la terre)

**REMARQUE :** Votre marchand de réfrigérateurs présente une trousse disponible avec un robinet de genre à selle de 1/4-po, un raccord et un tube en cuivre. Avant l'achat, s'assurer que le robinet de genre à selle est conforme à vos codes locaux de plomberie. Ne pas employer de robinet de genre à selle ou de 3/16-po de type à percer, ce qui réduit le débit d'eau et cause une obstruction plus facilement.

### Arrivée d'eau froide

La valve d'entrée d'eau de la machine à glaçons comprend une rondelle de contrôle du débit, qui est utilisée comme élément de régulation de la pression d'eau. La machine à glaçons a besoin d'être connectée à une canalisation d'eau froide avec limitations de pression d'eau de 30 à 120 lb-po<sup>2</sup>. Si un problème survient, contacter la compagnie de distribution d'eau.

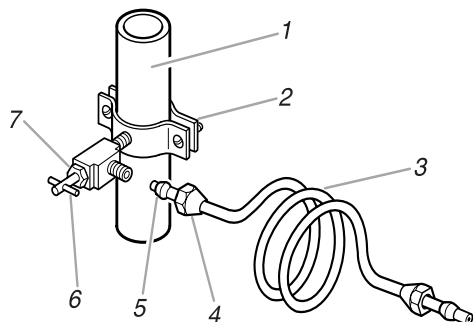
### Raccordement à une canalisation d'eau :

1. Débrancher le réfrigérateur ou déconnecter la source de courant électrique.
2. Fermer (OFF) le robinet principal d'arrivée d'eau. Ouvrir (ON) le robinet de puisage le plus proche pendant une période suffisante pour que la canalisation d'eau se vide.

3. Trouver une canalisation d'eau FROIDE verticale de 1,3 à 3,2 cm (1/2-po à 1 1/4-po) près du réfrigérateur.

**REMARQUE :** On peut alimenter le réfrigérateur à partir d'une canalisation horizontale, mais on doit alors observer les précautions suivantes : percer par le dessus de la canalisation et non pas par le dessous. Ainsi, l'eau ne risquera pas d'arroser la perceuse. Ceci empêche également les sédiments qu'on trouve normalement dans l'eau de s'accumuler dans le robinet d'arrêt.

4. Pour déterminer la longueur du tube en cuivre, il faut mesurer la distance entre le point de connexion à gauche au bas à l'arrière du réfrigérateur et le tuyau d'arrivée d'eau. Ajouter une longueur de 7 pieds (2,1 m) pour permettre le déplacement du réfrigérateur pour le nettoyage. Utiliser un tube en cuivre de 1/4 po de diamètre. Veiller à ce que le tube soit coupé d'équerre aux deux extrémités.
5. À l'aide d'une perceuse électrique reliée à la terre, percer un trou de 1/4-po dans le tuyau de canalisation d'eau froide choisie.



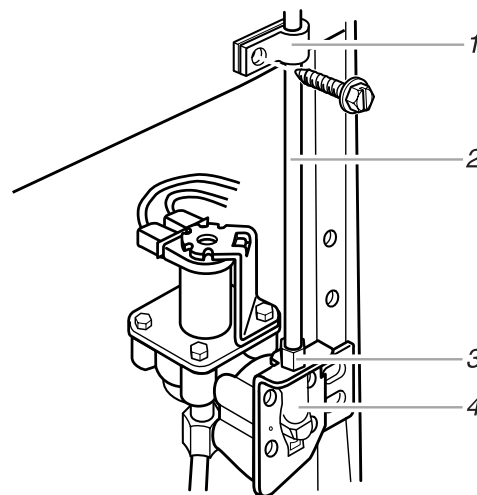
1. Canalisation d'eau froide
2. Bride de tuyau
3. Tube en cuivre
4. Écrou de compression
5. Bague de compression
6. Robinet d'arrêt
7. Écrou de serrage

6. Fixer le robinet sur la canalisation d'eau froide avec la bride de prise en charge. Vérifier que le raccord du robinet est bien engagé dans le trou de 1/4-po percé dans la canalisation et que la rondelle d'étanchéité est placée sous la bride de prise en charge. Serrer l'écrou de serrage sur la tige du robinet. Serrer soigneusement et uniformément les vis fixant la bride de prise en charge sur la tuyauterie afin que la rondelle forme une jonction étanche. Ne pas serrer excessivement car ceci pourrait provoquer l'écrasement du tube en cuivre, particulièrement s'il s'agit d'un tube en cuivre malléable. On est maintenant prêt à connecter le tube de raccordement en cuivre.
7. Enfiler l'écrou et la bague de compression du raccord sur le tube en cuivre comme on le voit sur l'illustration. Insérer l'extrémité du tube aussi loin que possible dans l'ouverture de sortie du robinet. Visser l'écrou du raccord de compression sur le raccord de sortie avec une clé à molette. Ne pas serrer excessivement.

8. Placer le bout libre du tube dans l'évier et OUVRIRE le robinet principal d'arrivée d'eau et laisser l'eau s'écouler par le tube jusqu'à ce que l'eau soit limpide. FERMER le robinet principal d'arrivée d'eau. Enrouler le tube en cuivre en spirale.

#### Raccordement au réfrigérateur :

1. Connecter le tube en cuivre au robinet d'eau en utilisant un écrou et une bague de compression tel qu'illustré. Serrer l'écrou de compression. Ne pas serrer excessivement. Réattacher la bride du tube et le tube à l'arrière de la caisse. Passer à l'étape 2.
2. **OUVRIR le robinet d'arrêt. Inspecter pour rechercher les fuites.** Serrer tous les raccords (y compris les raccords de la valve d'entrée d'eau) ou les écrous qui coulent.



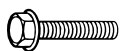
1. Bride du tube
2. Tube en cuivre
3. Bague de compression
4. Entrée d'eau de la valve

3. La machine à glaçons est équipée d'un filtre à eau incorporé. Si la qualité de l'eau distribuée localement nécessite un nettoyage périodique, ou si l'eau qui alimente l'appareil provient d'un puits, il serait utile d'installer un deuxième filtre dans le tube de raccordement de 1/4-po. On peut obtenir un tel filtre à eau chez le marchand d'appareils électroménagers le plus proche. Installer le filtre au niveau de n'importe laquelle des connexions du tube de raccordement.
4. Brancher le réfrigérateur ou reconnecter la source de courant électrique.

# Inversion du sens d'ouverture des portes

## OUTILS REQUIS :

Clé à douille hexagonale de 5/16-po, tournevis Phillips n° 2, tournevis à lame plate, clé à bout ouvert de 1/2-po, couteau à mastic plat de 2 pouces.



Vis hexagonale de 5/16 po de charnière



Vis d'arrêt de porte



Vis de fixation (somet de portes)

**SUGGESTION :** L'inversement du sens d'ouverture des portes devrait être exécuté par une personne qualifiée.

**IMPORTANT :** Avant de commencer, tourner l'interrupteur du réfrigérateur à OFF (arrêt), le débrancher et enlever tout aliment des tablettes dans la porte.

## Pour enlever les portes des charnières :

1. Enlever la grille de la base et le couvre-charnières. Voir les instructions à la section "Grille de la base".
2. Garder les portes fermées jusqu'au moment où elles sont prêtes à être enlevées du cabinet.
3. Enlever les vis et composants pour la charnière supérieure tel qu'indiqué.
4. Enlever la porte du congélateur.
5. Enlever les vis des composants pour la charnière centrale tel qu'indiqué.
6. Enlever la porte du réfrigérateur.
7. Enlever les vis et composants de la charnière inférieure tel qu'indiqué.

**REMARQUE :** Si on inverse les poignées, on devrait les déplacer alors que les portes sont enlevées du réfrigérateur. Suivre les instructions à la section "Inversion du sens d'ouverture des portes".

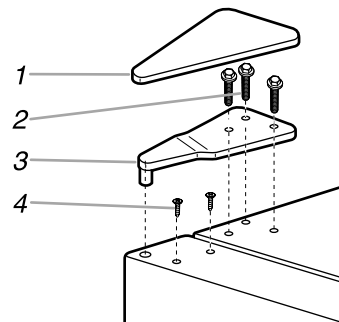
## Pour réinstaller les portes sur les charnières :

1. Enlever les bouchons couvrant les trous des vis au côté opposé du réfrigérateur, en utilisant un couteau à mastic.
2. Réinstaller les composants et les vis tel qu'indiqué, en commençant par la charnière inférieure. Serrer les vis avec une clé.
3. Réinstaller la porte du réfrigérateur.
4. Réinstaller les composants et les vis pour la charnière centrale tel qu'indiqué. Ne pas les serrer complètement.
5. Réinstaller la porte du congélateur.

6. Réinstaller les composants et les vis pour la charnière supérieure tel qu'indiqué. Ne pas les serrer complètement.

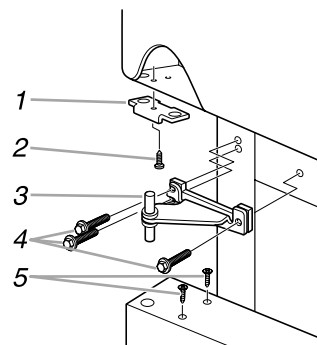
**REMARQUE :** Si on inverse les poignées, on devrait les déplacer alors que les portes sont enlevées du réfrigérateur. Suivre les instructions à la section "Inversion du sens d'ouverture des portes".

## Charnière supérieure



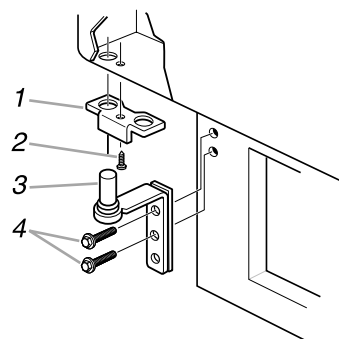
1. Couvercle
2. Vis à tête hexagonale pour charnière
3. Charnière supérieure
4. Vis de fixation

## Charnière centrale



1. Butée de porte
2. Vis d'arrêt de porte
3. Cheville de charnière
4. Vis à tête hexagonale pour charnière
5. Vis de fixation

## Charnière inférieure



1. Butée de porte
2. Vis d'arrêt de porte
3. Cheville de charnière
4. Vis à tête hexagonale pour charnière

## Inversion des poignées de porte

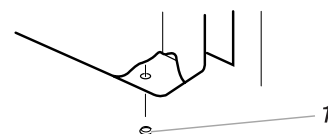
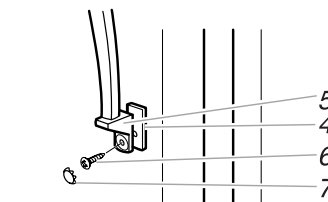
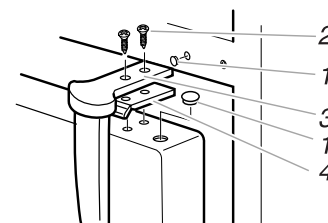
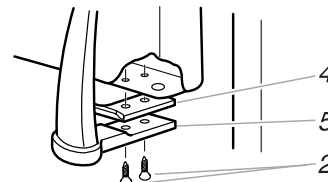
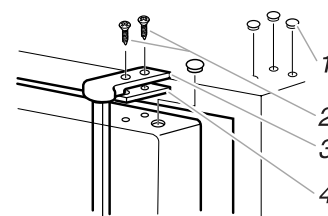
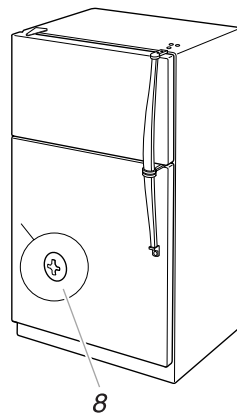
1. Enlever le montage de la poignée du congélateur comme illustré. Garder toutes les pièces ensemble.
2. Enlever la garniture inférieure de la poignée du réfrigérateur. Pour le style 1, enlever la vis au bas de la porte et glisser la garniture vers le bas.
3. Enlever la poignée du réfrigérateur tel qu'indiqué. Conserver les pièces ensemble.

### Pour réinstaller la poignée du congélateur :

1. Positionner la poignée du congélateur du côté opposé de la porte du congélateur et installer les 2 vis supérieures.
2. Installer les 2 vis inférieures.
3. Serrer toutes les vis.

### Pour réinstaller la poignée du réfrigérateur :

1. Enlever le bouchon du trou de la porte du réfrigérateur et le visser en place au côté opposé.
2. Positionner la poignée du réfrigérateur sur la porte du réfrigérateur et la fixer au sommet avec les 2 vis.
3. Aligner la portion inférieure de la poignée et la fixer au réfrigérateur avec une vis.
4. Réinstaller la garniture inférieure de la poignée du réfrigérateur. Pour le style 1, aligner le bord supérieur de la garniture avec les encoches dans la partie inférieure de la poignée et la glisser en place vers le haut.



1. Bouchons
2. Vis de comptoir
3. Embout supérieur
4. Cale adhésive
5. Embout inférieur
6. Vis de poignée
7. Couvercle de vis
8. Bouchon

---

## Grille de la base

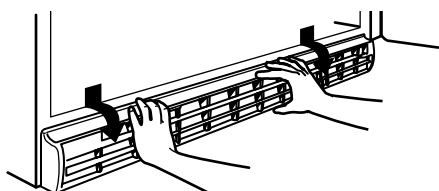
### Pour enlever la grille de la base :

1. Ouvrir la porte du réfrigérateur.
2. Saisir la grille avec les deux mains.
3. Soulever et incliner la base de la grille vers vous.

**REMARQUE :** Ne pas enlever la fiche technique fixée derrière la grille.

### Pour remplacer la grille :

1. Ouvrir la porte du réfrigérateur.
2. Placer les agrafes supérieures dans les ouvertures sur le panneau en métal.
3. Abaisser la grille vers le réfrigérateur jusqu'à son enclenchement en place.



---

## Fermeture et alignement des portes

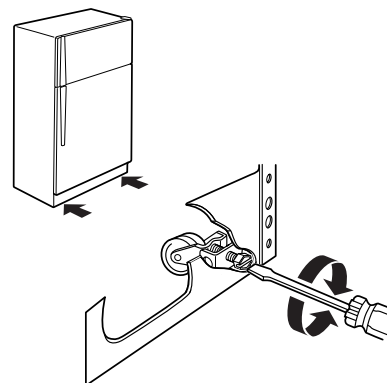
### Fermeture des portes

Votre réfrigérateur présente 2 roulettes réglable à l'avant – l'une do côté droit et l'autre du côté gauche. Si votre réfrigérateur semble instable ou si vous désirez que les portes se ferment plus facilement, faire le réglage de l'inclinaison du réfrigérateur en suivant les instructions ci-dessous :

1. Brancher le cordon d'alimentation électrique du réfrigérateur dans une prise de courant à 3 alvéoles reliée à la terre. Placer le réfrigérateur à son emplacement final.
2. Enlever la grille de la base (voir "Grille de la base" au début de cette section). Les deux vis de nivellement font partie des montages de roulettes avant qui sont à la base du réfrigérateur d'un côté et de l'autre.

3. Utiliser un tournevis pour ajuster les vis de nivellement. Tourner la vis de nivellement vers la droite pour soulever ce côté du réfrigérateur ou tourner la vis de nivellement vers la gauche pour abaisser ce côté. Plusieurs tours des vis de nivellement peuvent être nécessaires pour régler l'inclinaison du réfrigérateur.

**REMARQUE :** Si une autre personne pousse le haut du réfrigérateur, le poids devient moins lourd sur les vis de nivellement et les roulettes, ce qui rend plus facile l'ajustement des vis.



4. Ouvrir les deux portes de nouveau et vérifier pour s'assurer qu'elles se ferment aussi facilement que vous le désirez. Sinon, inclinez le réfrigérateur un peu plus vers l'arrière en tournant les deux vis de nivellement vers la droite. Plusieurs tours peuvent être nécessaires et vous devez tourner les deux vis de nivellement d'un espace égal.

5. Réinstaller la grille de la base.

### Alignement des portes

Si l'espace entre les portes semble inégal, on peut faire le réglage en suivant les instructions ci-dessous :

1. Soulever et enlever le couvercle de la charnière supérieure.
2. Dégager la vis de la charnière supérieure en utilisant une douille de 5/16 po ou une clé à molette.
3. Demander à une personne de tenir la porte en place ou placer un espaceur entre les portes pendant que vous serrez les vis de la charnière supérieure.
4. Réinstaller le couvercle sur la charnière.

## Les bruits de l'appareil que vous pouvez entendre

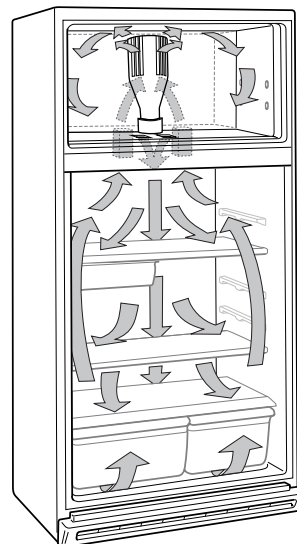
Il est possible que le réfrigérateur neuf émette des bruits que l'appareil précédent ne produisait pas. Comme ces bruits sont nouveaux, ils peuvent vous inquiéter. La plupart de ces nouveaux bruits sont normaux. Des surfaces dures comme le plancher, les murs et les armoires peuvent faire paraître les bruits plus forts qu'en réalité. Les descriptions suivantes indiquent le genre de bruits et leur origine.

- Si votre appareil est équipé d'une machine à glaçons, vous entendrez un bruit de gargouillement lorsque la valve d'eau s'ouvre pour remplir la machine à glaçons pour chaque programme.
- La minuterie du dégivreur produit un déclic au début et à la fin du programme de dégivrage. Le thermostat et le réglage feront aussi entendre un déclic lors de la mise en marche et de l'arrêt du programme.
- Les vibrations sonores peuvent provenir de l'écoulement du réfrigérant, de la canalisation d'eau ou d'articles placés sur le réfrigérateur.
- Votre réfrigérateur est conçu pour fonctionner plus efficacement afin de garder les aliments à la température désirée. Le compresseur très efficace peut faire fonctionner à votre réfrigérateur neuf plus longtemps que l'ancien et vous pouvez entendre des bruits aigus ou des vibrations sonores.
- L'eau qui dégoutte sur le dispositif de chauffage durant le programme de dégivrage peut produire un grésillement.
- Vous pouvez entendre le moteur du ventilateur d'évaporation qui fait circuler l'air dans le réfrigérateur et le congélateur.
- À la fin de chaque programme, vous pouvez entendre un gargouillement attribuable au réfrigérant qui se trouve dans votre réfrigérateur.
- La contraction et l'expansion des parois internes peuvent produire un bruit sec.
- Vous pouvez entendre de l'air qui est transmis au condenseur dans le ventilateur du condenseur.
- Vous pouvez entendre l'écoulement de l'eau dans le plat de récupération d'eau de dégivrage pendant le programme de dégivrage.

## UTILISATION DU RÉFRIGÉRATEUR

### Pour s'assurer d'une circulation d'air appropriée

Pour s'assurer d'avoir des températures appropriées, il faut permettre à l'air de circuler entre les deux sections du réfrigérateur et du congélateur. Comme l'indique l'illustration, l'air froid pénètre à la base de la section du congélateur et se déplace vers le haut. La plus grande partie de l'air circule ensuite à travers la section du congélateur et recircule sur le plancher du congélateur. Le reste de l'air pénètre dans la section du réfrigérateur en passant par l'ouverture d'aération supérieure.

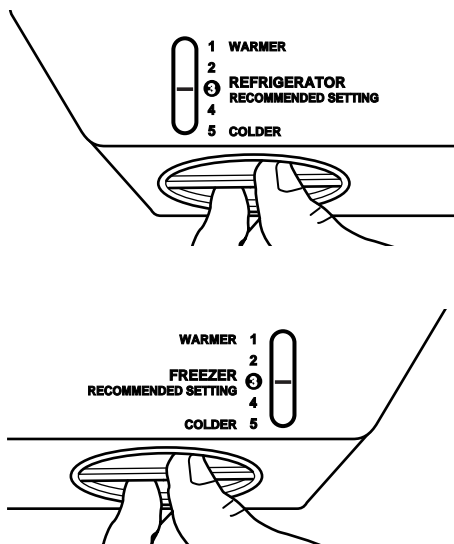


**Ne pas obstruer l'une ou l'autre de ces ouvertures d'aération** avec des aliments emballés. Si les ouvertures d'aération sont bloquées, le courant d'air sera empêché et des problèmes de température et d'humidité peuvent survenir.

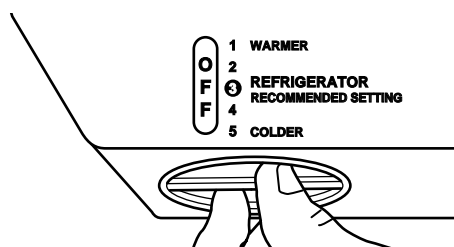
**IMPORTANT :** Comme l'air circule entre les deux sections, toutes les odeurs formées dans une section seront transférées à l'autre. Vous devez nettoyer à fond les deux sections pour éliminer les odeurs. Pour empêcher le transfert d'odeurs et l'assèchement des aliments, envelopper ou recouvrir légèrement les aliments. (Voir les détails à la section "Guide d'entreposage d'aliments".)

## Réglage des commandes

Les commandes pour le réfrigérateur et le congélateur sont situées au sommet de la section du réfrigérateur. **Au moment de l'installation initiale du réfrigérateur, régler la commande du réfrigérateur à 3 et la commande du congélateur à 3.**



**REMARQUE :** Pour régler la commande du réfrigérateur à OFF (arrêt), tourner le réglage au-delà de Warmer (plus tiède) jusqu'à ce que le mot OFF (arrêt) apparaisse, comme indiqué ci-dessous. Votre appareil ne se refroidira pas lorsque la commande du réfrigérateur est réglée à OFF (arrêt).



Donner au réfrigérateur le temps de se refroidir complètement avant d'y ajouter des aliments. Il est mieux d'attendre 24 heures avant de placer des aliments dans le réfrigérateur.

**IMPORTANT :** Si vous ajoutez des aliments avant que le réfrigérateur ne soit complètement refroidi, vos aliments peuvent se gâter. **Tourner les réglages du réfrigérateur et du congélateur à un niveau plus élevé (plus froid) que les réglages recommandés, ne refroidira pas les compartiments plus vite.**

La commande du congélateur agit sur la direction du débit d'air. Le réglage "1" dirige plus d'air froid dans la section de réfrigération, tandis que le réglage "5" dirige plus d'air froid dans la section de congélation. L'air froid passe du compartiment du congélateur par l'évent supérieur dans la section des aliments frais (voir le schéma à la section "Assurer une bonne circulation d'air").

## Ajustement des réglages de commande

Donner au réfrigérateur le temps de refroidir complètement avant d'ajouter des aliments. Il est mieux d'attendre 24 heures avant de placer des aliments dans le réfrigérateur. Les réglages moyens indiqués à la section précédente devraient être corrects pour l'utilisation normale du réfrigérateur domestique. Les réglages sont faits correctement lorsque le lait ou le jus est aussi froid que vous les aimez et lorsque la crème glacée est ferme.

Le réglage du réfrigérateur fonctionne comme un thermostat pour tout appareil (réfrigérateur et congélateur). Plus le numéro est élevé sur le réglage, plus le compresseur fonctionnera longtemps pour maintenir la température plus froide. La commande du congélateur règle le débit d'air froid du congélateur au réfrigérateur.

Si la température doit être ajustée dans le réfrigérateur ou le congélateur, commencer en ajustant le réfrigérateur en premier. Attendre 24 heures après l'ajustement du réfrigérateur pour vérifier la température du congélateur. Si la température est encore trop tiède, alors ajuster le réglage du congélateur aussi.

Utiliser les réglages indiqués au tableau ci-dessous comme guide. **Toujours se souvenir d'attendre au moins 24 heures entre les ajustements.**

CONDITION/RAISON :	AJUSTEMENT RECOMMANDÉ :
<b>Section du RÉFRIGÉRATEUR trop tiède</b> <ul style="list-style-type: none"> <li>Portes fréquemment ouvertes</li> <li>Grande quantité d'aliments ajoutée</li> <li>Température ambiante très chaude</li> </ul>	<b>Tourner le réglage du RÉFRIGÉRATEUR au numéro suivant plus élevé, attendre 24 heures, puis vérifier de nouveau.</b>
<b>Section du CONGÉLATEUR trop tiède/glaçons non préparés assez vite</b> <ul style="list-style-type: none"> <li>Porte fréquemment ouverte</li> <li>Grande quantité d'aliments ajoutée</li> <li>Température ambiante très froide (programme en fonctionnement trop peu fréquent)</li> <li>Usage intense de glaçons</li> <li>Articles bloquant la diffusion d'air</li> </ul>	<b>Tourner le réglage du CONGÉLATEUR au numéro plus ÉLEVÉ suivant, attendre 24 heures, puis vérifier de nouveau.</b>
	<b>Déplacer les articles du courant d'air.</b>

CONDITION/RAISON :	AJUSTEMENT RECOMMANDÉ :
<b>Section du RÉFRIGÉRATEUR trop froide</b> <ul style="list-style-type: none"> <li>■ Réglages non correctement faits pour les conditions existantes</li> </ul>	<b>Tourner le réglage du RÉFRIGÉRATEUR au numéro le plus bas suivant, attendre 24 heures, puis vérifier de nouveau.</b>
<b>Section du CONGÉLATEUR trop froide</b> <ul style="list-style-type: none"> <li>■ Les réglages ne sont pas correctement faits pour vos conditions</li> </ul>	<b>Tourner le réglage du CONGÉLATEUR au numéro suivant plus bas, attendre 24 heures, puis vérifier de nouveau.</b>

## Guide d'entreposage des aliments

### Conservation des aliments frais

Des aliments placés au réfrigérateur doivent être enveloppés ou gardés dans un emballage hermétique et à l'épreuve de l'humidité à moins d'indications contraires. Ceci empêche l'odeur et le goût des aliments de se répandre dans tout le réfrigérateur. Pour des produits datés, vérifier les dates indiquées pour s'assurer de la fraîcheur des aliments.

#### Beurre ou margarine

Garder le beurre entamé dans un beurrier muni d'un couvercle ou dans un compartiment fermé. Lors de la conservation de quantités supplémentaires, utiliser un emballage pour congélateur et faire congeler.

#### Fromage

Conserver dans son emballage original jusqu'à l'emploi. Une fois le paquet ouvert, réemballer hermétiquement le fromage dans une pellicule en plastique ou du papier d'aluminium.

#### Lait

Essuyer les contenants. Pour qu'il se conserve mieux, placer le lait sur une tablette à l'intérieur.

#### Œufs

Conserver les œufs sans les laver dans le carton original sur une tablette à l'intérieur.

### Fruits

Laver, laisser sécher et mettre au réfrigérateur dans un sac en plastique ou dans le bac à légumes. Ne pas laver ni équeuter les petits fruits avant le moment de leur utilisation. Les trier et les conserver dans l'emballage original dans le bac à légumes ou les conserver sur une tablette du réfrigérateur dans un sac fermé en papier sans être serré.

### Légumes à feuilles

Retirer l'emballage original et couper ou éliminer les sections endommagées et décolorées. Laver à l'eau froide et égoutter. Placer dans un sac ou un contenant en plastique et ranger dans le bac à légumes.

### Légumes à pelure (carottes, poivrons)

Placer dans des sacs en plastique ou contenants en plastique et ranger dans le bac à légumes.

### Poisson

Utiliser du poisson et des fruits de mer frais le jour même de leur achat.

### Viande

La plupart des viandes peuvent être conservées dans leur emballage original tant que cet emballage est hermétique et à l'épreuve de l'humidité. Emballer de nouveau si nécessaire. Voir le tableau suivant pour les périodes de conservation. Si la viande doit être conservée pour une période plus longue que la durée donnée, faire congeler la viande.

Poulet.....	1 à 2 jours
Boeuf haché.....	1 à 2 jours
Viandes de variété (foie, coeur, etc.).....	1 à 2 jours
Charcuterie .....	3 à 5 jours
Steaks/rôtis.....	3 à 5 jours
Viandes traitées .....	7 à 10 jours

### Les restes

Couvrir les restes avec de la pellicule en plastique ou du papier d'aluminium. Il est convenable aussi d'utiliser des contenants en plastique avec couvercle hermétique.

### Conservation des aliments congelés

**REMARQUE :** Pour plus de renseignements au sujet de la préparation des aliments pour la congélation ou pour les temps de conservation d'aliments, consulter un guide pour congélateur ou un livre de recettes fiable.

### Emballage

Le secret d'une congélation efficace réside dans l'emballage. Il doit être fermé et scellé de façon à empêcher la pénétration et l'évacuation de l'air ou de l'humidité. Toute autre méthode d'emballage risque d'entraîner la propagation des saveurs et d'odeurs dans

tout le réfrigérateur et l'assèchement des aliments congelés.

#### Recommandations pour l'emballage :

- Conteneurs rigides en plastique avec couvercle hermétique
- Bocaux de conserve/congélation à bord droit
- Papier d'aluminium résistant
- Papier recouvert de plastique
- Emballages en papier étanche (pellicule Saran)
- Sacs en plastique autohermétiques spécifiés pour congélateur

Suivre les instructions de l'emballage ou du contenant pour les méthodes de congélation appropriées.

#### Ne pas utiliser :

- Emballages pour le pain
- Conteneurs en plastique autres qu'en polyéthylène
- Conteneurs sans couvercle hermétique
- Papier paraffiné ou emballage pour congélateur enduit de cire
- Emballage mince semi-perméable

#### Congélation

Le congélateur ne congèlera pas rapidement une grande quantité d'aliments. Ne pas placer plus d'aliments non congelés dans le congélateur que la quantité qui congèlera dans l'intervalle de 24 heures (pas de plus de 907 à 1 350 g. par litre [2 à 3 lb] d'aliments par pied cube d'espace dans le congélateur). Laisser assez d'espace pour permettre la circulation d'air entre les emballages. S'assurer aussi de laisser assez d'espace à l'avant pour que la porte se ferme hermétiquement.

Les périodes de conservation varieront selon la qualité et le type des aliments, le type d'emballage et le type de pellicule utilisés (hermétiques et à l'épreuve de l'humidité) et la température d'entreposage. Les cristaux de glace à l'intérieur d'un emballage scellé sont normaux. Les cristaux signifient simplement que l'humidité dans les aliments et l'air à l'intérieur de l'emballage se sont condensés en créant des cristaux de glace.

**REMARQUE :** Laisser les aliments chauds refroidir à la température de la pièce pendant 30 minutes, ensuite préparer l'emballage et faire congeler. Le refroidissement des aliments chauds avant la congélation économise de l'énergie.

# CARACTÉRISTIQUES DU RÉFRIGÉRATEUR

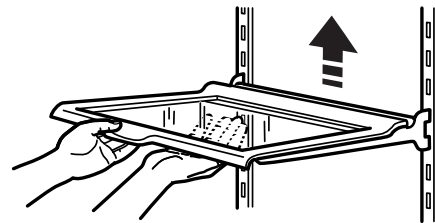
## Tablettes du réfrigérateur

Les tablettes dans votre réfrigérateur sont réglables pour correspondre à vos besoins individuels.

Le remisage d'aliments semblables ensemble dans le réfrigérateur et le réglage des tablettes pour convenir à différentes hauteurs d'articles, permettront de trouver plus facilement l'article exact que vous désirez et réduira le temps pendant lequel la porte du réfrigérateur est ouverte, ce qui économisera de l'énergie.

#### Pour retirer une tablette:

1. Incliner le devant du cadre de tablette et le soulever à l'arrière.
2. Retirer le cadre de tablette en ligne droite.

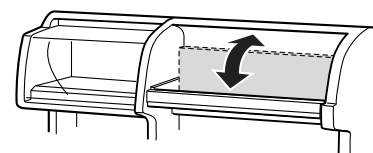


#### Pour réinstaller une tablette:

1. Guider les crochets à l'arrière de la tablette dans les crans sur les supports de tablette sur la paroi arrière du réfrigérateur.
2. Incliner le devant du cadre de tablette jusqu'à ce que les crochets arrière tombent dans les crans.
3. Abaisser le devant de la tablette en position.

## Tablette relevable (sur certains modèles)

Le bas de la tablette se relève vers le haut de sorte qu'on peut remisage des articles plus longs sur la tablette au bas de la porte. Lorsque la tablette est à la position abaissée, la tablette est assez forte pour tenir jusqu'à 4,5 kg (10 livres).



## Bac à viande et couvercle (sur certains modèles)

### Pour retirer le bac à viande :

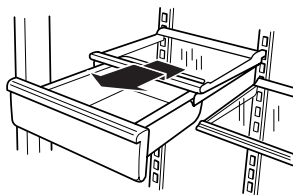
1. Faire glisser le bac à viande vers l'extérieur jusqu'à la butée.
2. Soulever le devant du bac à viande avec une main en supportant le bas du bac avec l'autre main. Glisser le bac complètement vers l'extérieur.

### Pour réinstaller le bac à viande :

1. Guider le tiroir dans les supports du couvercle.
2. Pousser le tiroir jusqu'à ce qu'il s'arrête.

### Pour enlever le couvercle :

1. Retirer le bac à viande.
2. Incliner le couvercle vers le haut à l'avant.
3. Soulever l'arrière du couvercle.
4. Tirer le couvercle tout droit vers l'extérieur.



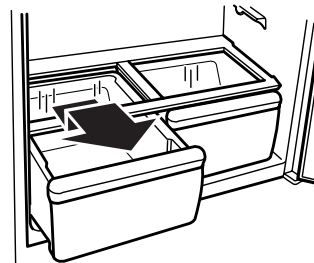
### Pour réinstaller le couvercle :

1. Guider les crochets arrière du couvercle dans les fentes des supports de la tablette sur la paroi arrière.
2. Incliner le couvercle vers le haut à l'avant jusqu'à ce que les crochets arrière tombent dans les fentes.
3. Abaisser l'avant du couvercle jusqu'à ce qu'il soit d'aplomb et réinstaller le bac à viande.

## Bac à légumes et couvercle (sur certains modèles)

### Pour retirer le bac à légumes :

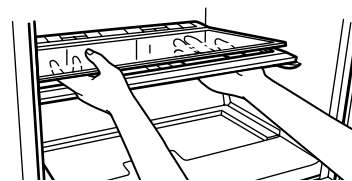
1. Faire glisser le bac à légumes en ligne droite vers l'extérieur jusqu'à la butée.
2. Soulever le devant.
3. Faire glisser le bac à légumes complètement vers l'extérieur du reste du bac.
4. Réinstaller le bac à légumes en le faisant glisser complètement vers l'arrière au-delà de la butée du bac.



### Pour retirer le couvercle :

1. Retirer le couvercle.
2. En tenant le verre fermement, saisir un côté du couvercle du bac et soulever l'autre côté par en-dessous.
3. Glisser la plaque de verre vers l'extérieur.
4. Soulever le cadre du couvercle et le retirer.

**REMARQUE :** Avant d'installer le couvercle, s'assurer que la barre de renforcement en U est réinstallée.



### Pour réinstaller le couvercle :

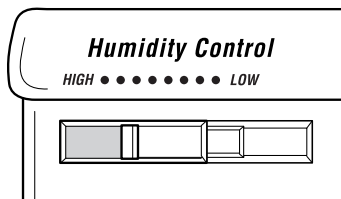
1. Placer l'arrière du cadre du couvercle dans les crans d'appui de la paroi latérale du réfrigérateur.
2. Abaisser le devant du cadre en place.
3. Faire glisser l'arrière du couvercle en verre dans le cadre du couvercle et abaisser le devant en place.

---

## Réglage de l'humidité dans les bacs à légumes (sur certains modèles)

Ce réglage permet de contrôler le degré d'humidité dans les bacs à légumes étanches. La commande peut être réglée à n'importe quel réglage entre LOW et HIGH.

- En position LOW (ouvert) le réglage laisse échapper l'air humide pour mieux conserver les fruits et légumes à pelure.
- En position HIGH (fermé) le réglage permet de retenir l'humidité à l'intérieur du bac pour mieux conserver les légumes frais et les légumes à feuilles.



---

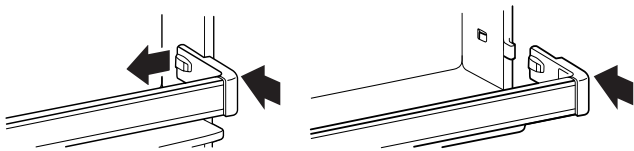
## Tringles dans la porte

Les tringles dans la porte peuvent être enlevées pour faciliter le nettoyage.

### Tringles enclenchables dans la porte

Pour réinstaller les tringles :

1. Enlever tous les articles rangés sur la tablette.
2. Appuyer légèrement sur le devant du joint en tirant sur la languette interue.
3. Répéter ces étapes pour l'autre extrémité de la tringle.



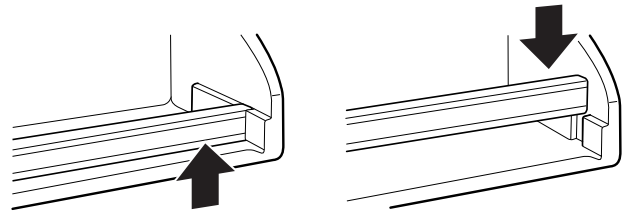
Pour retirer les tringles :

1. Positionner chaque extrémité de la tringle en ligne avec les attaches de chaque côté de la paroi de la porte.
2. Pousser la tringle directement au fond jusqu'à ce qu'elle s'enclenche en position.

## Tringles déposées dans la porte

Pour enlever les tringles :

1. Enlever tous les articles rangés sur la tablette.
2. Soulever verticalement chaque extrémité des tringles.



Pour réinstaller les tringles :

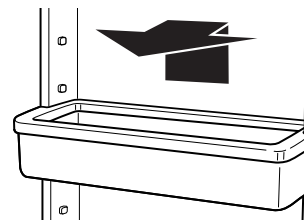
1. Glisser la tringle de la tablette dans les fentes sur la porte.
2. Pousser directement vers le bas sur les tringles jusqu'à l'arrêt.

---

## Compartiments dans la porte (sur certains modèles)

Les compartiments dans la porte sont amovibles pour faciliter le nettoyage et le réglage.

1. **Pour retirer le compartiment**, le soulever tout simplement et le retirer directement vers l'extérieur.
2. **Pour réinstaller le compartiment**, le glisser au-dessus du bouton d'appui désiré et abaisser jusqu'à son arrêt.



---

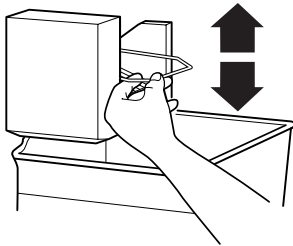
## Utilisation de la machine à glaçons (sur certains modèles)

Lorsque la section du congélateur atteint la température normale du congélateur, la machine à glaçons se remplit d'eau et commence à former des glaçons. Accorder 24 heures pour produire la première quantité de glaçons. La machine à glaçons devrait alors produire environ de 7 à 9 quantités de glaçons dans une période de 24 heures. Jeter les trois premières quantités de glaçons produites, pour éviter les impuretés qui peuvent être expulsées du système.

Après la fabrication, les glaçons tombent dans le bac d'entreposage. Lorsque le bac d'entreposage est rempli, le levier de la machine à glaçons s'élève à la position OFF (arrêt), (levier soulevé). Si les glaçons ne sont pas requis, on peut arrêter la machine à glaçons en levant le bras à la position OFF (arrêt) (levier soulevé). Écouter s'il y a un clic pour vous assurer que la machine à glaçons ne continuera pas de fonctionner.

Pour mettre en marche la machine à glaçons, abaisser le levier à la position ON (mise en marche). Ne pas forcer le levier vers le haut ou vers le bas. Ne pas garder quoi que ce soit au sommet de la machine à glaçons ou dans le bac d'entreposage des glaçons.

- Le levier ON/OFF (marche/arrêt) est un bras de commande en broche pour la machine à glaçons, situé au côté de la machine à glaçons. Abaisser le bras pour commencer automatiquement la fabrication de glaçons, et pousser le bras vers le haut pour arrêter la fabrication de glaçons.



- Il est normal que des glaçons se collent aux coins. Ils se sépareront facilement.
- La machine à glaçons ne fonctionnera pas avant que le congélateur ne soit assez froid pour fabriquer des glaçons. Ce délai peut durer toute une nuit.
- Si les glaçons ne sont pas fabriqués assez vite et si vous avez besoin d'une plus grande quantité de glaçons, tourner le réglage du congélateur vers un numéro plus élevé par étape de demi-numéro. (Par exemple, si le réglage est à 3, le déplacer entre 3 et 4.) Attendre 24 heures et si nécessaire, tourner graduellement le réglage d'équilibre d'air au réglage le plus élevé, et attendre 24 heures entre chaque augmentation.

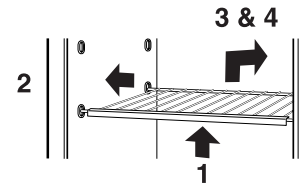
#### À NOTER :

- La bonne qualité de vos glaçons dépendra de la bonne qualité de l'approvisionnement d'eau auquel est raccordée la machine à glaçons.
- Éviter de brancher la machine à glaçons à un approvisionnement d'eau adoucie. Les produits chimiques de l'eau adoucie (tels que le sel) peuvent endommager le moule de la machine à glaçons et fournir des glaçons de qualité médiocre. Si un approvisionnement d'eau adoucie ne peut pas être évité, s'assurer que l'adoucisseur d'eau fonctionne bien et est bien entretenu.

## Clayette du congélateur (sur certains modèles)

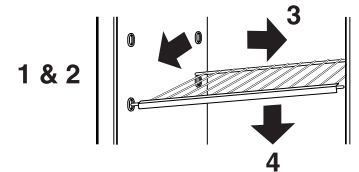
### Pour enlever la clayette :

1. Soulever légèrement toute la clayette.
2. Déplacer la clayette complètement vers un côté.
3. Incliner l'autre côté vers le haut et sortir des appuis de la clayette.
4. Soulever la clayette vers le haut et vers l'extérieur.



### Pour réinstaller la clayette :

1. Incliner la clayette et l'insérer dans le compartiment du congélateur.
2. Insérer une extrémité de la clayette complètement dans le centre des appuis de la clayette.
3. Abaisser l'autre extrémité de la clayette et l'insérer dans les appuis de la clayette.
4. Abaisser la clayette en place.



**REMARQUE :** La clayette devrait s'abaisser légèrement et se fixer en place. Si la clayette ne semble pas solide, s'assurer que les deux extrémités de la clayette sont insérées dans les appuis de la clayette.

# ENTRETIEN DE VOTRE RÉFRIGÉRATEUR

## Nettoyage du réfrigérateur

### AVERTISSEMENT



#### Risque d'explosion

**Utiliser un produit de nettoyage ininflammable.**

**Le non-respect de cette instruction peut causer un décès, une explosion ou un incendie.**

Les sections du réfrigérateur et du congélateur se dégivrent automatiquement. Toutes deux doivent cependant être nettoyées environ une fois par mois afin de prévenir l'accumulation d'odeurs. Essuyer immédiatement les produits renversés.

#### Conseil pour économie d'énergie :

Nettoyer régulièrement les serpentins du condenseur, tel que décrit dans le tableau de nettoyage dans cette section.

#### Nettoyage du réfrigérateur :

- Débrancher le réfrigérateur ou déconnecter la source du courant électrique.
- Eulever toutes les pièces amovibles de l'intérieur telles que tablettes, bacs, etc.
- Utiliser une éponge propre ou un linge doux et un détergent doux avec de l'eau tiède. Ne pas utiliser de nettoyeurs abrasifs ou durs.
- Laver manuellement, rincer et sécher toutes les surfaces à fond.
- Brancher le réfrigérateur ou reconnecter la source de courant électrique.

#### ■ Autres conseils de nettoyage indiqués ci-dessous :

PIÈCES	COMMENTAIRES
<b>Extérieur</b>	<ul style="list-style-type: none"><li>■ Le cirage de surfaces métalliques peintes à l'extérieur, aide à fournir une protection antirouille. Ne pas cirer les pièces en plastique. Cirer les surfaces métalliques peintes au moins deux fois par année avec une cire pour appareils électroménagers (ou cire en pâte de qualité pour automobile). Appliquer la cire avec un linge propre et doux.</li></ul>
<b>Parois intérieures</b> (le congélateur doit être assez tiède pour que le chiffon n'adhère pas)	<ul style="list-style-type: none"><li>■ Pour aider à éliminer les odeurs, on peut faire le lavage avec un mélange d'eau tiède et de bicarbonate de soude [26 g à 0,95 L] (2 c. à soupe à 1 pinte d'eau).</li></ul>
<b>Garnitures et joints des portes</b>	<ul style="list-style-type: none"><li>■ Ne pas utiliser de cires nettoyantes, de détergents concentrés, d'eau de Javel ni de nettoyeurs contenant du pétrole sur les pièces en plastique.</li></ul>
<b>Pièces en plastique</b> (couvertres et panneaux)	<ul style="list-style-type: none"><li>■ Ne pas utiliser d'essuie-tout en papier, de nettoyeurs à vitre en atomiseur, de nettoyeurs à récurer ou de liquides inflammables. Ces produits risquent d'égratigner ou d'endommager le matériau.</li></ul>
<b>Serpentins du condenseur</b>	<ul style="list-style-type: none"><li>■ Retirer la grille de la base. (Voir section "Grille de la base".)</li><li>■ Employer un aspirateur avec un accessoire long pour nettoyer les serpentins du condenseur.</li><li>■ Nettoyer à l'aspirateur les serpentins lorsqu'ils sont sales ou poussiéreux. Il se peut que les serpentins aient besoin d'être nettoyés aussi souvent qu'à tous les deux mois.</li><li>■ Remplacer la grille de la base.</li></ul>

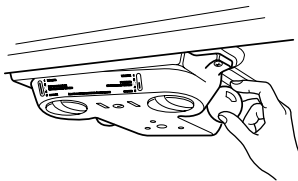
---

## Remplacement des ampoules d'éclairage

**REMARQUE :** Votre réfrigérateur ne pourra pas accommoder toutes les ampoules pour les appareils ménagers. S'assurer de remplacer l'ampoule par une ampoule de grosseur, de forme et de wattage semblables.

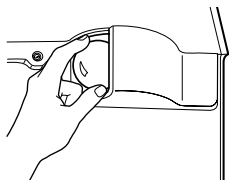
### Pour remplacer l'ampoule du réfrigérateur :

1. Débrancher le réfrigérateur ou débrancher la source de courant électrique.
2. Saisir l'ampoule située derrière le tableau de commande et la dévisser.
3. Remplacer l'ampoule par une ampoule de appareil électroménager de même wattage.
4. Brancher le réfrigérateur ou reconnecter la source de courant électrique.



### Pour remplacer l'ampoule du congélateur (sur certains modèles) :

1. Débrancher le réfrigérateur ou déconnecter la source de courant électrique.
2. Saisir l'ampoule derrière le protecteur de l'ampoule pour la retirer.
3. Remplacer l'ampoule par une ampoule de 40 watts pour appareils électroménagers.
4. Brancher le réfrigérateur ou reconnecter la source de courant électrique.



---

## Pannes de courant

En cas de panne de courant, téléphoner à la compagnie d'électricité pour demander la durée de la panne.

1. Si le service doit être interrompu durant **24 heures ou moins, garder les deux portes fermées** pour aider les aliments à demeurer froids et congelés.
2. Si le service doit être interrompu **pendant plus de 24 heures :**
  - a) Retirer tous les aliments congelés et les entreposer dans un entrepôt frigorifique.

**OU**

- b) Placer 907 g (2 lbs) de neige carbonique dans le congélateur pour chaque pied cube (28,32 L) d'espace de congélation. Cette quantité permettra de garder les aliments congelés durant deux à quatre jours. Porter des gants pour protéger les mains contre les morsures de la glace lorsque vous employez de la neige carbonique.

**OU**

- c) S'il n'y a pas d'entrepôt frigorifique ni de neige carbonique, consommer ou mettre immédiatement en conserve les aliments périssables.

**REMARQUE :** Un congélateur plein restera froid plus longtemps qu'un congélateur partiellement rempli. Un congélateur plein de viandes demeure froid plus longtemps qu'un congélateur rempli de pains et de pâtisseries. Si les aliments contiennent des cristaux de glace, ils peuvent être remis à congeler sans danger même si la qualité et la saveur risquent d'être affectées. Si les aliments semblent de piètre qualité ou douteux, les jeter.

---

# Entretien avant les vacances ou lors d'un déménagement

## Vacances

**Si vous choisissez de laisser le réfrigérateur en fonctionnement pendant votre absence, utiliser ces étapes pour préparer votre réfrigérateur avant d'aller en vacances.**

1. Consommer tous les aliments périssables et congeler les autres articles au congélateur.
2. Si votre réfrigérateur a une machine à glaçons automatique :
  - Soulever le bras de la machine à glaçons à la position OFF (élevée).
  - Fermer l'approvisionnement d'eau à la machine à glaçons.
3. Vider le bac à glaçons.

**Si vous choisissez d'arrêter le fonctionnement du réfrigérateur avant votre absence, observer ces étapes.**

1. Enlever tous les aliments du réfrigérateur.
2. Si votre réfrigérateur a une machine à glaçons automatique :
  - Fermer l'approvisionnement d'eau à la machine à glaçons au moins une journée à l'avance.
  - Lorsque la dernière quantité de glaçons est déposée, soulever le bas de la machine à glaçons à la position OFF (élevée).
3. Tourner la commande du thermostat (ou la commande du réfrigérateur, selon le modèle) à OFF. Voir la section "Réglage des commandes".
4. Nettoyer le réfrigérateur, l'essuyer et bien le sécher.
5. À l'aide d'un ruban adhésif, placer des blocs de caoutchouc ou de bois dans la partie supérieure de chaque porte de façon à ce qu'elles soient suffisamment ouvertes pour permettre la circulation de l'air à l'intérieur, afin d'éviter l'accumulation d'odeur ou de moisissure.

## Déménagement

Lorsque vous déménagez votre réfrigérateur à une nouvelle habitation, suivre ces étapes pour préparer le déménagement.

1. Si votre réfrigérateur a une machine à glaçons automatique :
  - Fermer l'approvisionnement d'eau de la machine à glaçons au moins une journée à l'avance.
  - Débrancher la canalisation d'eau de l'arrière du réfrigérateur.
  - Lorsque la dernière quantité de glaçons est tombée, soulever le bras de commande à la position OFF (élevée).
2. Retirer tous les aliments du réfrigérateur et placer tous les aliments congelés dans de la neige carbonique.
3. Tourner le thermostat (ou réglage du réfrigérateur, selon le modèle) à OFF (arrêt). Voir la section "Réglage des commandes".
4. Débrancher le réfrigérateur de la prise.
5. Vider l'eau du plat de dégivrage.
6. Nettoyer, essuyer et sécher à fond.
7. Retirer toutes les pièces amovibles, bien les envelopper et les attacher ensemble à l'aide de ruban adhésif pour qu'elles ne bougent pas ni ne s'entrechoquent durant le déménagement.
8. Soulever le devant du réfrigérateur pour qu'il roule plus facilement. Voir la section "Fermeture des portes".
9. Fermer la porte à l'aide de ruban adhésif et fixer le cordon d'alimentation à la caisse du réfrigérateur.

Lorsque vous arriverez à votre nouvelle habitation, remettre tout en place et consulter la section "Installation du réfrigérateur" pour les instructions de préparation. Aussi, si votre réfrigérateur a une machine à glaçons automatique, rappelez-vous de rebrancher l'approvisionnement d'eau au réfrigérateur.

---

# DÉPANNAGE

Essayer les solutions suggérées ici en premier afin d'éviter les coûts d'une visite de service inutile.

---

## Le réfrigérateur ne fonctionne pas

- **Le cordon d'alimentation électrique est débranché.**  
Brancher fermement le cordon du courant électrique dans une prise de courant active avec tension de voltage appropriée.
- **Un fusible est grillé ou le disjoncteur s'est déclenché.**  
Remplacer le fusible ou enclencher de nouveau le disjoncteur.
- **Le réglage du réfrigérateur est à la position "OFF" (arrêt).**  
Voir la section "Réglage des commandes".
- **Le réfrigérateur se dégivre.**  
Vérifier pour voir si le réfrigérateur fonctionne au bout de 30 minutes. Le réfrigérateur exécutera régulièrement un programme automatique de dégivrage.

---

## Les ampoules n'éclairent pas

- **Le cordon du courant électrique est débranché.**  
Brancher fermement le cordon du courant électrique dans une prise de courant active avec tension de voltage appropriée.
- **Une ampoule d'éclairage est délogée dans la douille.**  
Tourner le réglage du réfrigérateur à OFF (arrêt). Débrancher le réfrigérateur de la source d'alimentation électrique. Enlever délicatement l'ampoule et la réinsérer. Ensuite rebrancher le réfrigérateur à la source de courant électrique et faire de nouveau le réglage du réfrigérateur.
- **Une ampoule est grillée.**  
Remplacer par une ampoule d'appareil électroménager de tension, de grosseur et de format similaires. Voir la section "Remplacement des ampoules d'éclairage".

---

## Le plat de dégivrage contient de l'eau

- **Le réfrigérateur se dégivre.**  
L'eau s'évaporera. C'est normal pour l'eau de dégoutter dans le plat de dégivrage.
- **Le réfrigérateur est plus humide que normalement.**  
Prévoir que l'eau dans le plat de dégivrage prend plus de temps à s'évaporer. Ceci est normal quand il fait chaud ou humide.

---

## Le moteur semble fonctionner excessivement

- **La température ambiante est plus chaude que normalement.**  
Prévoir que le moteur fonctionnera plus longtemps dans des conditions de chaleur. Pour des températures ambiantes normales, prévoir que le moteur fonctionne environ de 40 % à 80 % du temps. Dans des conditions plus chaudes, prévoir un fonctionnement encore plus fréquent.
  - **Une grande quantité d'aliments vient d'être ajoutée au réfrigérateur.**  
L'addition d'une grande quantité d'aliments réchauffe le réfrigérateur. Il est normal que le moteur fonctionne plus longtemps afin de refroidir de nouveau le réfrigérateur. Voir la section "Guide d'entreposage des aliments".
  - **Les portes sont fréquemment ouvertes.**  
Prévoir que le moteur fonctionnera plus longtemps dans ce cas. Afin de conserver l'énergie, essayer de sortir tout ce dont vous avez besoin du réfrigérateur à la fois, garder les aliments organisés de sorte qu'ils sont faciles à trouver et fermer la porte dès que les aliments sont retirés.
  - **Les réglages ne sont pas faits correctement pour les conditions ambiantes.**  
Voir la section "Réglage des commandes".
  - **Les portes ne sont pas complètement fermées.**  
Pousser les portes pour qu'elles soient bien fermées. Si les portes ne ferment pas complètement, voir "Les portes ne se ferment pas complètement" plus loin dans cette section.
  - **Les serpentins du condenseur sont sales.**  
Cette situation empêche le transfert de l'air et fait travailler davantage le moteur. Nettoyer les serpentins du condenseur. Voir la section "Nettoyage du réfrigérateur".
- REMARQUE :** Votre réfrigérateur neuf fonctionnera plus longtemps que l'ancien appareil du fait de son moteur très efficace.

---

## Le réfrigérateur semble faire trop de bruit

- **Les sons peuvent être normaux pour votre réfrigérateur.**  
Voir la section "Les bruits de l'appareil que vous pouvez entendre".

---

## La machine à glaçons ne produit pas de glaçons

---

- **La température du congélateur n'est pas assez froide pour produire des glaçons.**  
Attendre 24 heures après le branchement pour la production de glaçons. Voir la section "Réglage des commandes".
- **Le levier de la machine à glaçons est en position "OFF" (élevée).**  
Abaisser le bras à la position "ON" (abaissée). Voir la section "Utilisation de la machine à glaçons".
- **La valve de la canalisation d'eau reliée au réfrigérateur n'est pas ouverte.**  
Ouvrir la valve d'eau. Voir la section "Raccordement du réfrigérateur à une canalisation d'eau".
- **Un glaçon est coincé dans le bras éjecteur.**  
Enlever le glaçon du bras éjecteur avec un ustensile en plastique. Voir "Utilisation de la machine à glaçons".
- **Le moule de la machine à glaçons n'a pas d'eau ou aucun glaçon n'a été produit.**  
Vérifier pour voir si le réfrigérateur a été branché à la canalisation d'eau à la maison, et si la valve d'arrêt de la canalisation est ouverte. Voir la section "Raccordement du réfrigérateur à une canalisation d'eau".

**REMARQUE :** Si cette situation n'est pas attribuable à ce qui précède, il peut exister un problème avec la canalisation d'eau. Faire un appel de service.

---

## La machine à glaçons produit trop peu de glaçons

---

- **La machine à glaçons vient juste d'être installée.**  
Attendre 72 heures pour le commencement de la production complète de glaçons. Une fois que le réfrigérateur est refroidi, la machine à glaçons devrait commencer à produire de 70 à 120 glaçons à toutes les 24 heures.
- **Une grande quantité de glaçons vient d'être enlevée.**  
Attendre 24 heures pour que la machine à glaçons produise plus de glaçons.
- **Les réglages ne sont pas faits correctement.**  
Voir la section "Réglage des commandes".
- **Le robinet d'eau n'est pas complètement ouvert.**  
Tourner complètement le robinet à la position ouverte. Voir la section "Raccordement du réfrigérateur à une canalisation d'eau".
- **Il existe un filtre d'eau installé sur le réfrigérateur. Ce filtre peut être obstrué ou installé incorrectement.**  
Premièrement, vérifier les instructions d'installation du filtre pour s'assurer que le filtre a été installé correctement et qu'il n'est pas obstrué. Si l'installation ou l'obstruction n'est pas le problème, faire un appel de service.

---

## Mauvais goût ou odeur des glaçons

---

- **Les raccords de plomberie sont neufs et causent une décoloration et un mauvais goût des glaçons.**  
Jeter les premières quantités de glaçons.
- **Les glaçons ont été gardés trop longtemps.**  
Jeter les vieux glaçons et en faire une nouvelle provision.
- **Les aliments dans le réfrigérateur n'ont pas été bien emballés.**  
Voir "Conservation des aliments congelés" dans la section "Guide d'entreposage des aliments".
- **Le congélateur et le bac à glaçons ont besoin d'être nettoyés.**  
Voir la section "Nettoyage du réfrigérateur".
- **L'eau contient des minéraux (tel que le soufre).**  
L'installation d'un filtre peut être requis afin d'enlever les minéraux.

---

## La cloison entre les deux sections est tiède

---

La température tiède est probablement attribuable à un fonctionnement normal du réglage automatique de l'humidité de l'extérieur.

---

## La température est trop tiède

---

- **Les ouvertures d'aération sont bloquées dans une section ou l'autre. Cette obstruction empêche le mouvement de l'air froid du congélateur au réfrigérateur.**  
Enlever tous les objets placés en avant des ouvertures d'aération. Consulter "Pour s'assurer d'une circulation d'air appropriée" pour l'emplacement des ouvertures d'aération.
- **La porte est souvent ouverte.**  
Prévoir que le réfrigérateur deviendra tiède dans ce cas. Pour garder le réfrigérateur froid, essayer de retirer rapidement à la fois tout ce dont vous avez besoin du réfrigérateur, garder les aliments bien rangés de sorte qu'il soit facile de les trouver et fermer la porte dès que les aliments sont retirés.
- **Une grande quantité d'aliments vient d'être ajoutée au réfrigérateur ou au congélateur.**  
L'addition d'une grande quantité d'aliments réchauffe le réfrigérateur. Plusieurs heures peuvent être nécessaires pour que le réfrigérateur revienne à la température normale.
- **Les réglages ne sont pas faits correctement pour les conditions ambiantes.**  
Voir la section "Réglage des commandes".

---

## Il existe une accumulation d'humidité à l'intérieur.

---

- **Les ouvertures d'aération dans le réfrigérateur sont bloquées.**  
Enlever tous les objets en avant des ouvertures d'aération. Consulter "Pour s'assurer d'une circulation d'air appropriée" pour le remplacement des ouvertures d'aération.
- **La porte est fréquemment ouverte.**  
Pour éviter l'accumulation d'humidité, essayer de retirer rapidement tout ce dont vous avez besoin du réfrigérateur, garder les aliments rangés de sorte qu'il soit facile de les trouver et fermer la porte dès que les aliments sont retirés. (Lorsque la porte est ouverte, l'humidité de l'air extérieur pénètre dans le réfrigérateur. Le plus souvent la porte est ouverte, le plus rapidement l'humidité s'accumule, surtout lorsque la pièce est très humide).
- **La pièce est humide.**  
Il est normal pour l'humidité de s'accumuler à l'extérieur du réfrigérateur lorsque l'air de l'extérieur est humide.
- **Les aliments ne sont pas correctement emballés.**  
Vérifier que tous les aliments sont bien emballés. Si nécessaire, emballer de nouveau les aliments d'après les directives à la section "Guide d'entreposage des aliments". Essuyer les contenants humides d'aliments avant de les placer au réfrigérateur.

- **Les réglages ne sont pas correctement faits pour les conditions ambiantes.**  
Voir la section "Réglage des commandes".
- **Un programme autodégivreur a été complété.**  
Il est normal que des gouttelettes se forment sur la paroi arrière après que le réfrigérateur se dégivre automatiquement.

---

## Les portes sont difficiles à ouvrir

---

- **Les joints sont sales ou collants.**  
Nettoyer les joints et la surface. Frotter en appliquant une couche très mince de cire de paraffine sur les joints à la suite d'un nettoyage.

---

## Les portes ne se ferment pas complètement

---

- **Les emballages des aliments bloquent l'ouverture de la porte.**  
Réorganiser les contenants de sorte qu'ils soient plus rapprochés et prennent moins d'espace.
- **Le bac à glaçons n'est pas en bonne position.**  
Pousser le bac à glaçons jusqu'au fond.
- **Le couvercle du bac à légumes, plats, tablettes, bacs ou paniers ne sont pas en position.**  
Placer le couvercle du bac à légumes et tous les plats, tablettes, bacs et paniers à la position correcte. Voir plus de renseignements à la section "Caractéristiques du réfrigérateur".
- **Les joints collent.**  
Nettoyer les joints et la surface. Frotter en appliquant une couche très mince de cire de paraffine sur les joints à la suite d'un nettoyage.
- **Le réfrigérateur n'est pas d'aplomb ou semble instable.**  
Niveler le réfrigérateur. Consulter la section "Fermeture et alignement des portes".
- **Les portes ont été enlevées durant l'installation de l'appareil et n'ont pas été bien installées.**  
Enlever et replacer les portes en suivant la section "Inversion du sens d'ouverture des portes" ou téléphoner à un technicien qualifié.

---

# DEMANDE D'ASSISTANCE OU DE SERVICE

Avant de téléphoner pour assistance ou service, veuillez vérifier la section "Dépannage". Cette action peut vous faire économiser le coût d'une visite de service. Si vous avez encore besoin d'assistance, suivre les instructions ci-dessous.

## **POUR ASSISTANCE OU SERVICE :**

### **1. Si le problème n'est pas attribuable à l'une des causes indiquée dans la section "Dépannage"...**

Communiquer avec le Centre d'assistance aux consommateurs Whirlpool sans frais d'interurbain en composant 1-800-253-1301. Nos consultants sont disponibles pour vous aider.

Lors de l'appel, veuillez connaître la date d'achat et les numéros au complet de modèle et de série de votre appareil électroménager (voir la section "Garantie"). Ces renseignements nous aideront à mieux répondre à votre demande.

### **Nos consultants offrent l'assistance pour les questions suivantes :**

- Caractéristiques et spécifications sur notre gamme complète d'appareils électroménagers.
- Renseignements d'installation.
- Procédé d'utilisation et d'entretien.
- Vente d'accessoires et de pièces de rechange.
- Assistance spécialisée aux clients (langue espagnole, malentendants, malvoyants, etc.).
- Marchands, compagnies de service et distributeurs de pièces de rechange locaux.

**Des techniciens de service désignée par Whirlpool** sont formés pour exécuter la garantie du produit et fournir le service après garantie, n'importe où aux États-Unis.

Pour localiser la compagnie de service désignée par Whirlpool dans votre région, vous pouvez aussi consulter les pages jaunes de votre annuaire téléphonique.

### **2. Si vous avez besoin de pièces de rechange...**

Si vous avez besoin de commander des pièces de rechange, nous vous recommandons d'utiliser seulement des pièces autorisées de l'usine. Les pièces autorisées de l'usine conviendront bien et fonctionneront bien parce qu'elles sont fabriquées selon les mêmes spécifications précises utilisées pour construire chaque nouvel appareil Kirkland Signature™ par Whirlpool Corporation.

Pour localiser des pièces autorisées de l'usine dans votre région, téléphoner à notre Centre d'assistance aux consommateurs ou au centre de service désigné le plus proche.

### **3. Pour plus d'assistance...**

Si vous avez besoin de plus d'assistance, vous pouvez écrire à Whirlpool en soumettant toute question ou problème à l'adresse suivante :

Whirlpool Corporation  
Consumer Assistance Center  
c/o Correspondence Dept.  
2000 North M-63  
Benton Harbor, MI 49022-2692

Veuillez inclure, dans votre correspondance, un numéro de téléphone où l'on peut vous joindre le jour.

### **\*Lors d'une demande d'aide ou de service :**

Veuillez fournir une description détaillée du problème, les numéros complets de modèle et de série de l'appareil, et la date d'achat. (Voir section "Garantie".) Ces renseignements nous aideront à bien répondre à votre demande.

# GARANTIE DE RÉFRIGÉRATEUR

**KIRKLAND**  
*Signature*™

By Whirlpool  
CORPORATION

## GARANTIE COMPLÈTE DEUX ANS SUR LE RÉFRIGÉRATEUR

Pour une période de deux ans à partir de la date d'achat, lorsque ce réfrigérateur est utilisé et entretenu conformément aux instructions fournies avec le produit, Whirlpool paiera pour les pièces autorisées de l'usine et les frais de réparation pour corriger les vices de matériaux ou de fabrication. Les travaux doivent être effectués par une compagnie de service désignée par Whirlpool.

## GARANTIE COMPLÈTE DE CINQ ANS SUR LE SYSTÈME DE RÉFRIGÉRATION SCELLÉ

Pour une période de cinq ans à partir de la date d'achat, lorsque ce réfrigérateur est utilisé et entretenu conformément aux instructions fournies avec le produit, Whirlpool paiera pour les pièces autorisées de l'usine et les frais de réparation pour corriger les vices de matériaux ou de fabrication dans le système de réfrigération scellé. Ces pièces sont : le compresseur, l'évaporateur, le condenseur, le dispositif de séchage, les tubes de raccord. Les travaux doivent être effectués par une compagnie de service désignée par Whirlpool.

### Whirlpool Corporation ne paiera pas pour :

1. Les visites de service pour rectifier l'installation du réfrigérateur, montrer à l'utilisateur comment utiliser le réfrigérateur ou remplacer des fusibles, rectifier le câblage électrique ou la plomberie du domicile ou remplacer des ampoules électriques.
2. Les réparations lorsque le réfrigérateur est utilisé à des fins autres qu'un usage unifamilial normal.
3. Transport pour aller chercher et livrer l'appareil. Le réfrigérateur est conçu pour être réparé sur place.
4. Les dommages causés par accident, usage inapproprié, incendie, inondation, actes de Dieu, ou l'utilisation de produits non approuvés par Whirlpool.
5. Toute perte d'aliments attribuable à une panne de courant.
6. Les réparations de pièces ou systèmes attribuables à des modifications non autorisées de l'appareil ménager.

## WHIRLPOOL CORPORATION DÉCLINE TOUTE RESPONSABILITÉ AU TITRE DE DOMMAGES SECONDAIRES OU INDIRECTS

Certains États peuvent ne pas admettre l'exclusion ou la limitation des dommages secondaires ou indirects; par conséquent, l'exclusion ou la limitation mentionnée ci-dessus peut ne pas s'appliquer dans votre cas. Cette garantie vous confère des droits juridiques spécifiques; vous pouvez également jouir d'autres droits qui peuvent varier d'un État à l'autre.

En dehors des États-Unis, une garantie différente peut s'appliquer. Pour les détails, veuillez communiquer avec Whirlpool Corporation.

Whirlpool Corporation est responsable pour fournir tout service sous garantie couvert par cette garantie. Si vous avez besoin de service, voir d'abord la section "Dépannage" de ce livret. Après avoir vérifié le "Dépannage", une aide additionnelle peut être obtenue en vérifiant la section "Demande d'assistance ou de service" ou en téléphonant au Centre d'assistance aux consommateurs Whirlpool, au 1-800-253-1301 (sans frais d'interurbain) de partout aux États-Unis; ou en écrivant à : Whirlpool Corporation, Consumer Assistance Center, c/o Correspondence Dept., 2000 North M-63, Benton Harbor, MI 49022-2692.

1/99

**Conserver ce manuel et la facture d'achat ensemble pour consultation ultérieure. Pour service sous garantie, vous devez présenter un document prouvant la date d'achat ou d'installation.**

Inscrivez les renseignements suivants à propos de votre réfrigérateur pour mieux obtenir assistance ou service en cas de besoin. Vous devez connaître le numéro de modèle et le numéro de série complets. Cette information est indiquée sur la plaque signalétique dont l'emplacement sur votre appareil est indiqué à la section "Pièces et caractéristiques".

Nom du marchand \_\_\_\_\_

Adresse \_\_\_\_\_

Numéro de téléphone \_\_\_\_\_

Numéro de modèle \_\_\_\_\_

Numéro de série \_\_\_\_\_

Date d'achat \_\_\_\_\_

